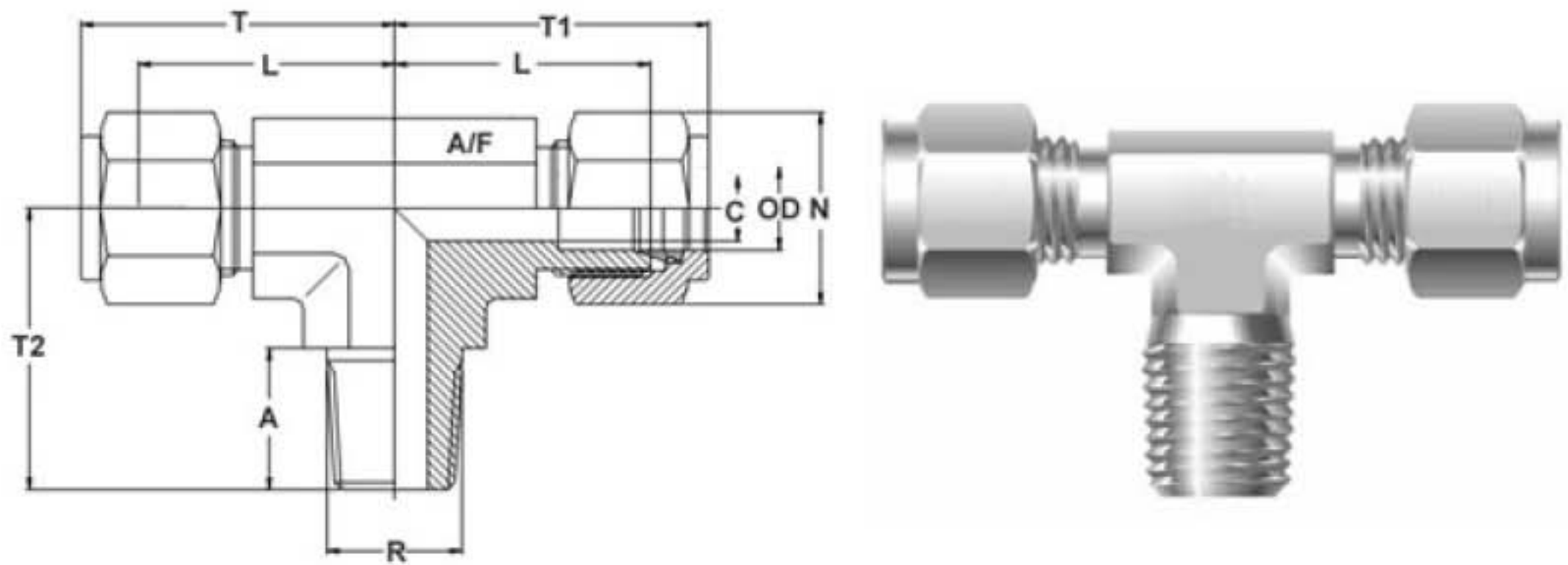


AR38-MBT

MALE BRANCH TEE

PART NO.	MM OD	R NPT(M)	T T1	A	C	A/F	N	L	T2
AR38-MBT0318	3	1/8	23.6	9.6	2.4	11	11	17	17.8
AR38-MBT0314	3	1/4	24.6	14.3	2.4	14	11	18	23.4
AR38-MBT0618	6	1/8	27	9.6	4.8	14	14	19.6	18.8
AR38-MBT0614	6	1/4	27	14.3	4.8	14	14	19.6	23.4
AR38-MBT0638	6	3/8	29.8	14.3	4.8	17	14	22.4	26.2
AR38-MBT0814	8	1/4	28.8	14.3	6.3	14	16	21.3	24.4
AR38-MBT0838	8	3/8	30.6	14.3	6.3	17	16	23.1	26.2
AR38-MBT0812	8	1/2	32.6	19.1	6.3	22	16	25.1	33
AR38-MBT1014	10	1/4	31.5	14.3	7.1	17	19	23.9	26.2
AR38-MBT1038	10	3/8	31.5	14.3	7.9	17	19	23.9	26.2
AR38-MBT1012	10	1/2	33.5	19.1	7.9	22	19	25.9	33
AR38-MBT1214	12	1/4	36	14.3	7.1	22	22	25.9	26.2
AR38-MBT1238	12	3/8	36	14.3	9.5	22	22	25.9	28.2
AR38-MBT1212	12	1/2	36	19.1	9.5	22	22	25.9	33
AR38-MBT1612	16	1/2	38	19.1	11.3	24	25	27.9	35.1
AR38-MBT2534	25	3/4	49.1	19.1	15.8	35	38	36.8	41.7
AR38-MBT2501	25	1	49.1	23.8	21.8	35	38	36.8	46.5



AR40-MBT

MALE BRANCH TEE

PART NO.	INCH OD	R NPT(M)	T T1	A	C	A/F	N	L	T2
AR40-MBT1818	1/8	1/8	23.6	9.6	2.4	11	11	17	17.8
AR40-MBT1814	1/8	1/4	24.6	14.3	2.4	14	11	18	23.4
AR40-MBT1418	1/4	1/8	26.9	9.6	4.8	14	14	19.6	18.8
AR40-MBT1414	1/4	1/4	26.9	14.3	4.8	14	14	19.6	23.4
AR40-MBT1438	1/4	3/8	29.7	14.3	4.8	17	14	22.4	26.2
AR40-MBT1412	1/4	1/2	31.8	19.1	4.8	22	14	24.4	33
AR40-MBT3814	3/8	1/4	30.5	14.3	7.1	17	17	23.1	25.4
AR40-MBT3838	3/8	3/8	31.2	14.3	7.1	17	17	23.9	26.2
AR40-MBT3812	3/8	1/2	33	19.1	7.1	22	17	25.9	33
AR40-MBT1214	1/2	1/4	36	14.3	4.8	22	22	25.9	28.2
AR40-MBT1238	1/2	3/8	36	14.3	9.6	22	22	25.9	28.2
AR40-MBT1212	1/2	1/2	36	19.1	10.4	22	22	25.9	33
AR40-MBT5812	5/8	1/2	38.1	19.1	11.9	22	25	27.9	35
AR40-MBT3412	3/4	1/2	39.9	19.1	11.9	27	29	29.7	36.8
AR40-MBT3434	3/4	3/4	39.9	19.1	15.8	27	29	29.7	36.8
AR40-MBT0134	1	3/4	49	19.1	15.8	35	38	36.8	41.6
AR40-MBT0101	1	1	49	23.8	22.3	35	38	36.8	46.5