

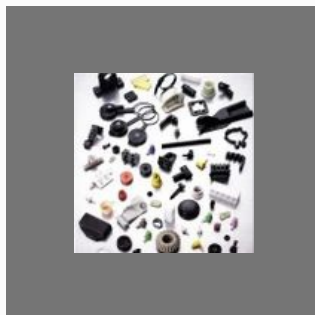
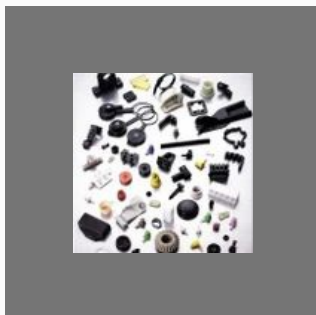


+91-8046051906

General Plastic Industries LLP

<https://www.indiamart.com/generalplasticindustries/>

General Plastic Industries is a provider of cutting edge plastic technology solutions since **1968**. We are manufacturers of our widely demanded collection of Moulding Components.



About Us

General Plastic Industries is a provider of cutting edge plastic technology solutions since **1968**. It Serves Multi-National clients in the Automotive, Lighting & Industrial segments. We are manufacturers and suppliers of our widely demanded collection of Moulding Components. Our products range is **Plastic Mould and Dies, Moulding Products**. We also promote our valued clients by proposing them the facility of moulding the leather in different shapes, sizes and designs. These products are easily obtainable in varied customized specifications and also at most competitive prices. We also service provider of **Injection Moulding Job Work, Injection Moulding Services, Tool Designing Services, Gear Moulding Services, Insert Moulding Services, Over Moulding Services, Thin Wall Moulding Services, Metal Substitution Services, Safety Critical Moulding Services, Contract Manufacturing Services and many more.**

We are leading in moulding precision components with complex requirements for demanding applications. Working with our Global clients for over 3 decades has helped us to a disciplined work culture which is entirely quality driven and which imbibes best practices from different production systems. The products are RoHS compliant and are exported to about 55 countries across the globe including Europe and America.

Established over 4 decades ago, GPI specializes in the production of precision plastic components and moulds. This was...

For more information, please visit

<https://www.indiamart.com/generalplasticindustries/profile.html>



PLASTIC INJECTION PARTS



Plastic Injection Parts Mould



Plastic Molded Products



Plastic Mould Components



Plastic Mould Components

INJECTION MOLDED PLASTIC PARTS



Plastic Part Injection Mould



Plastic Mould Base



Industrial Plastic Parts Mould



Plastic Molded Articles

MOULDING PRODUCTS



Automatic Plastic Injection Moulding



Exhaust Fan Cover



Automotive Plastic Injection Mould

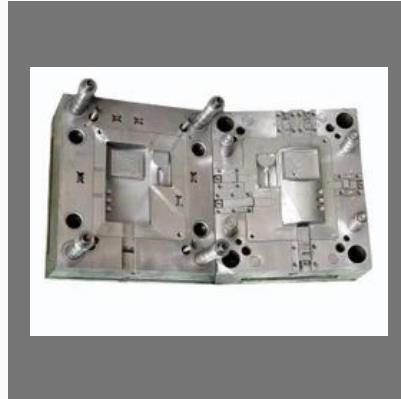


Plastic Housing Mould

INJECTION MOLD



Hot Runner Injection Mold



Plastic Injection Mold

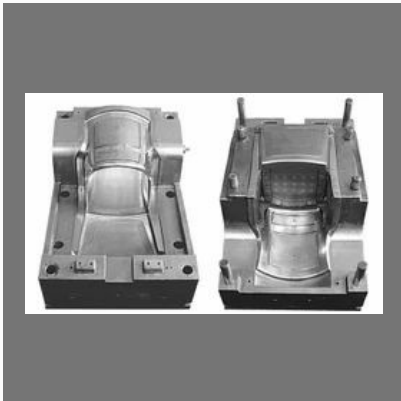


Plastic Injection Mold



Plastic Gear Moulding Dies

PLASTIC MOULDING



Plastic Injection Mould



Automotive Plastic Moulding Component



Container Cap Mould



Mixer Grinder Body Set Mould

PLASTIC MOULD AND DIES



Plastic Die Mould



Plastic Bucket Mould



Plastic Dies

PLASTIC MOULDINGS



Plastic Torch Body Mould



Plastic Mould Components



Automotive Plastic Moulds

OTHER PRODUCTS:



Industrial Plastic Moulding Component



Plastic Injection Moulding Parts



Custom Plastic Housing Parts Mould



Abs Plastic Injection Mold

Factsheet

Year of Establishment : 1968

Nature of Business : Exporter and Manufacturer

Total Number of Employees : 51 to 100 People



CONTACT US

General Plastic Industries LLP

Contact Person: Prateek Mittal

Ground Floor, Plot No. 67, G.t. Karnal Road, Rajasthani Udyog Nagar, North West Delhi
New Delhi - 110033, Delhi, India



+91-8046051906



<https://www.indiamart.com/generalplasticindustries/>