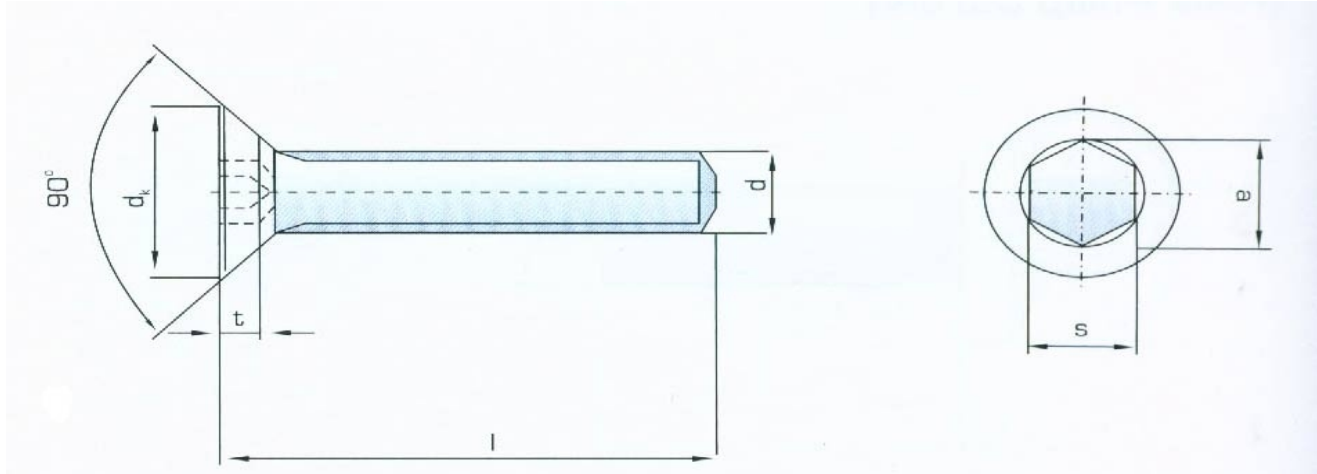


HAJI TOOLS & HARDWARE

HOUSE OF STAINLESS STEEL FASTENERS

Technical Specification of Hexagon Socket Countersunk Head Cap Screws as per DIN 7991 / IS : 6761-1972



Thread Size d	M3	M4	M5	M6	M8	M10	M12	M14	M16
Pitch	0.5	0.7	0.8	1	1.25	1.5	1.75	2	2
dk max	6	8	10	12	16	20	24	27	30
min	5.7	7.64	9.64	11.57	15.57	19.48	23.48	26.48	29.48
e min	2.3	2.87	3.44	4.58	5.72	6.86	9.15	11.43	11.43
s min	2.0	2.5	3.0	4.0	5.0	6.0	8.0	10.0	10.0
max	2.10	2.60	3.10	4.12	5.14	6.14	8.175	10.175	10.175
t max	1.2	1.8	2.3	2.5	3.5	4.4	4.6	4.8	5.3
min	0.95	1.55	2.05	2.25	3.2	4.1	4.3	4.5	5