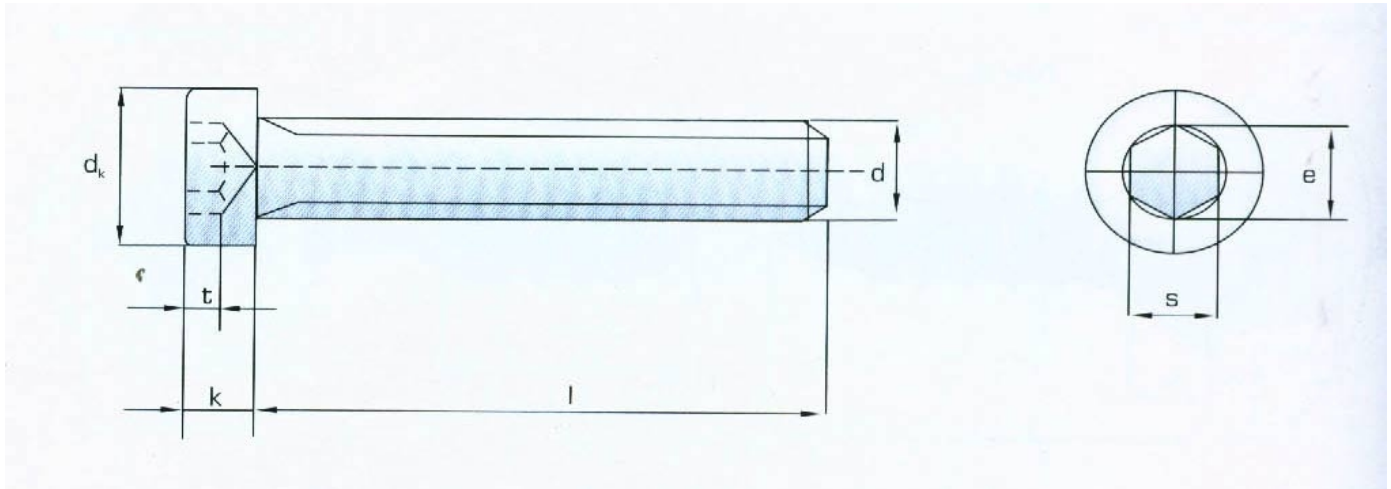


HAJI TOOLS & HARDWARE

HOUSE OF STAINLESS STEEL FASTENERS

Technical Specification of Hexagon Socket Head Cap Screws With Low Head as per DIN 7984



Thread Size d	M3	M4	M5	M6	M8	M10	M12	M16	M20
Pitch	0.5	0.7	0.8	1.0	1.25	1.5	1.75	2.0	2.5
dk max	5.5	7.0	8.5	10.0	13.0	16.0	18	24.0	30.0
min	5.32	6.78	8.28	9.78	12.73	15.73	17.73	23.67	29.67
e min	2.3	2.87	3.44	4.58	5.72	8.01	9.15	13.72	16.0
k max	2.0	2.8	3.5	4.0	5.0	6.0	7.0	9.0	11.0
min	1.86	2.66	3.32	3.82	4.82	5.82	6.78	8.78	10.73
s min	2.0	2.5	3.0	4.0	5.0	7.0	8.0	12.0	14.0
max	2.10	2.60	3.10	4.12	5.14	7.175	8.175	12.212	14.212
t min	1.38	2.18	2.58	2.88	3.65	4.35	4.85	5.35	7.32
max	1.62	2.42	2.82	3.12	3.95	4.65	5.15	5.65	7.68