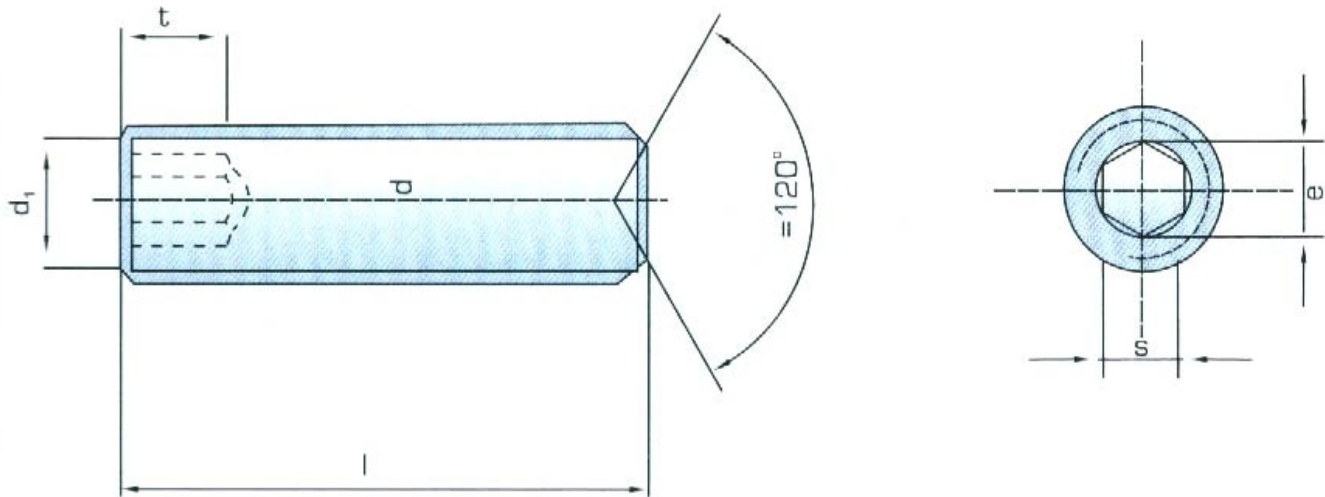


HAJI TOOLS & HARDWARE

HOUSE OF STAINLESS STEEL FASTENERS

Technical Specification of Hexagon Socket Set Screws With Cup Point as per DIN 916 / IS: 6094-1981 (Type CP) ISO 4029



Thread Size [d]	M3	M4	M5	M6	M8	M10	M12
Pitch	0.5	0.7	0.8	1	1.25	1.5	1.75
e min.	1.73	2.30	2.87	3.44	4.58	5.72	6.86
s min.	1.5	2.0	2.5	3.0	4.0	5.0	6.0
Max.	1.54	2.04	2.56	3.08	4.09	5.09	6.09
t	1.2	1.5	2	2	3	4	4.8