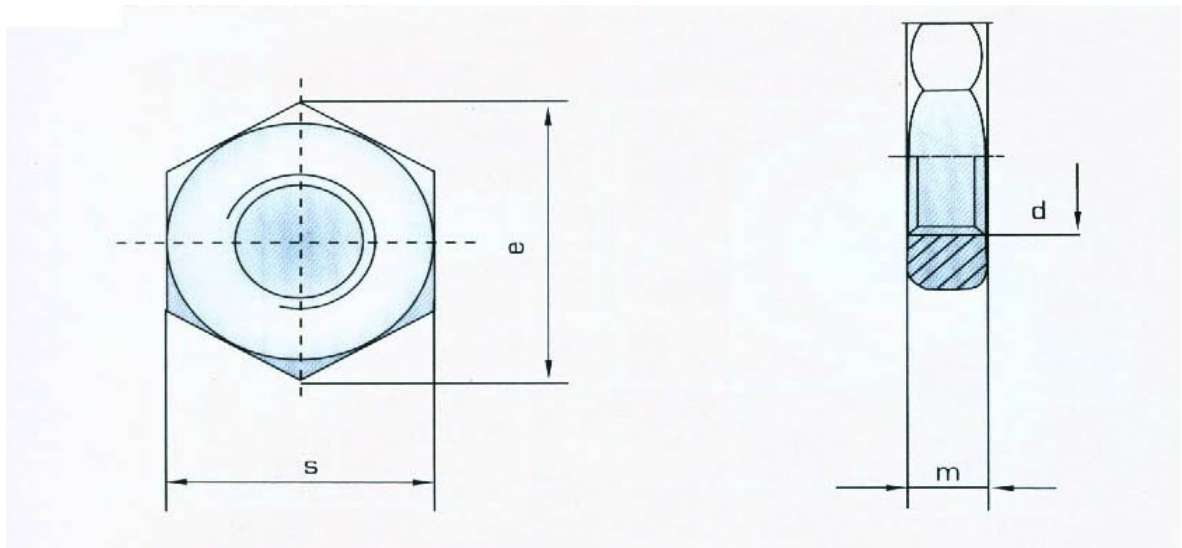


HAJI TOOLS & HARDWARE

HOUSE OF STAINLESS STEEL FASTENERS

Technical Specification of Hexagon Thin Nuts as per DIN 439

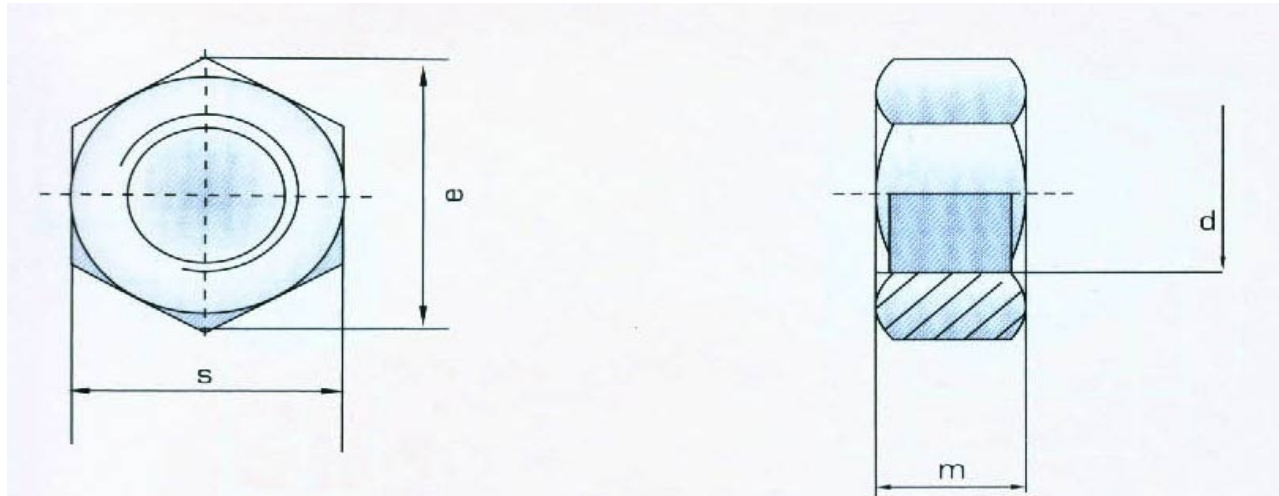


Thread Size	M3	M4	M5	M6	M8	M10	M12	M[14]	M16
Pitch	0.5	0.7	0.8	1.0	1.25	1.5	1.75	2.0	2.0
e min	6.01	7.66	8.79	11.05	14.38	18.9	21.1	24.49	26.75
m Max	1.8	2.2	2.7	3.2	4.00	5.0	6.0	7.0	8.0
Min.	1.55	1.95	2.45	2.9	3.7	4.7	5.7	6.42	7.42
s Min.	5.5	7.0	8.0	10.0	13.0	17.0	19.0	22.0	24.0
Max.	5.32	6.78	7.78	9.78	12.73	16.73	18.67	21.67	23.67

HAJI TOOLS & HARDWARE

HOUSE OF STAINLESS STEEL FASTENERS

Technical Specification of Hexagon Nuts as per Din 934



Thread size (d]	M1.6	M2	M2.5	M3	[M3.5]	M4	M5	M6
Pitch	0.35	0.4	0.45	0.5	0.6	0.7	0.8	1
e min.	3.41	4.32	5.45	6.01	6.58	7.66	8.79	11.05
max	1.3	1.6	2	2.4	2.8	3.2	4	5
m min	1.05	1.35	1.75	2.15	2.55	2.9	3.7	4.7
s max	3.2	4	5	5.5	6	7	8	10
min	3.02	3.85	4.82	5.32	5.82	6.78	7.78	9.78

HAJI TOOLS & HARDWARE

HOUSE OF STAINLESS STEEL FASTENERS

Thread size [d]	M8	M10	M12	M14	M16	M18	M20
Pitch	1.25	1.5	1.75	2	2	2.5	2.5
e min.	14.38	18.9	21.1	24.49	26.75	29.56	32.95
max	6.5	8	10	11	13	15	16
m min	6.14	7.64	9.64	10.3	12.3	14.3	14.9
s max	13	17	19	22	24	27	30
min	12.73	16.73	18.67	21.67	23.67	26.16	29.16