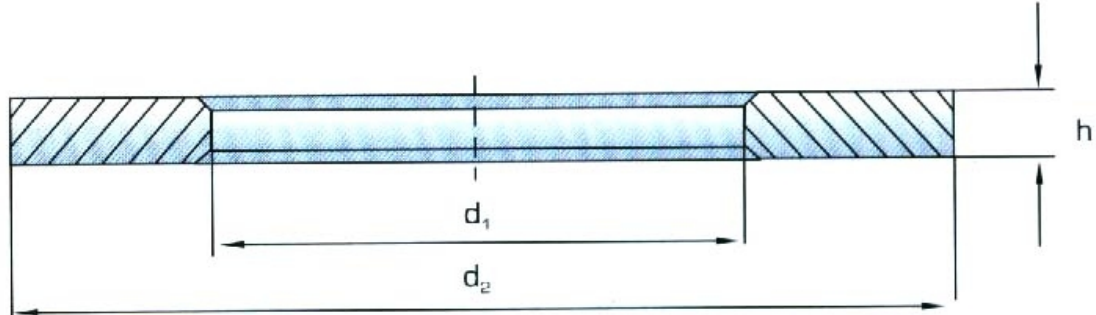


HAJI TOOLS & HARDWARE

HOUSE OF STAINLESS STEEL FASTENERS

Technical Specification of Plain Washers as per DIN 125 / IS : 2016-1967 / ISO 7089

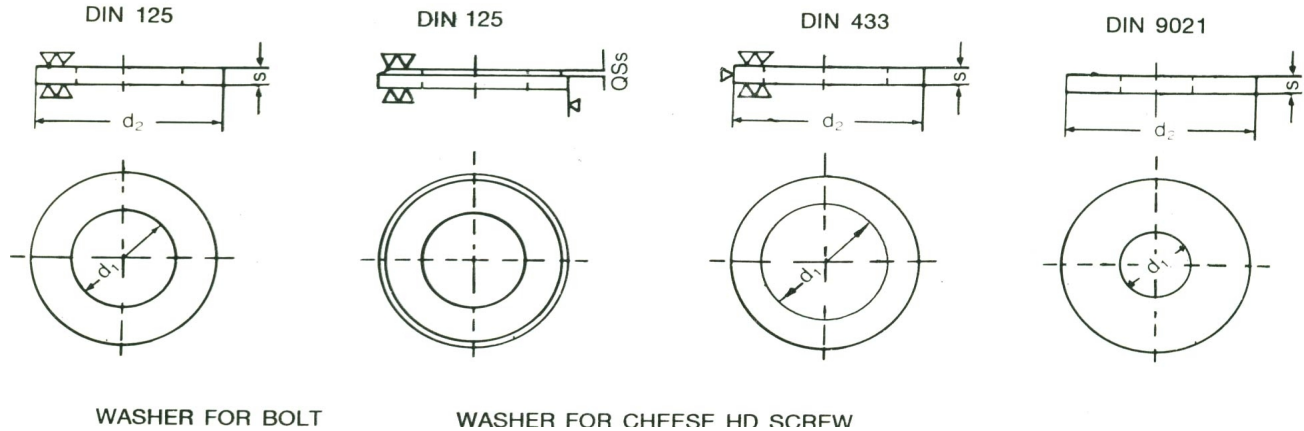


Normal size	For thread size	d1		d2		h	
		min.	max.	min.	max.	max.	min.
1.7	1.6	1.7	1.84	4.0	3.7	0.35	0.25
1.8	1.7	1.8	1.94	4.5	4.2	0.35	0.25
2.2	2.0	2.2	2.34	5.0	4.7	0.35	0.25
2.5	2.3	2.5	2.64	6.0	5.7	0.55	0.45
2.7	2.5	2.7	2.84	6.0	5.7	0.55	0.45
2.8	2.6	2.8	2.94	7.0	6.64	0.55	0.45
3.2	3.0	3.2	3.38	7.0	6.64	0.55	0.45
3.7	3.5	3.7	3.88	8.0	7.64	0.55	0.45
4.3	4.0	4.3	4.48	9.0	8.64	0.9	0.7
5.3	5.0	5.3	5.48	10.0	9.64	1.1	0.9
6.4	6.0	6.4	6.62	12.0	11.57	1.8	1.4
7.4	7.0	7.4	7.62	14.0	13.57	1.8	1.4
8.4	8.0	8.4	8.62	16.0	15.57	1.8	1.4
10.5	10.0	10.5	10.77	20.0	19.48	2.2	1.8
13.0	12.0	13.0	13.27	24.0	23.48	2.7	2.3
15.0	14.0	15.0	15.27	28.0	27.48	2.7	2.3
17.0	16.0	17.0	17.27	30.0	29.48	3.3	2.7
19.0	18.0	19.0	19.33	34.0	33.38	3.3	2.7
21.0	20.0	21.0	21.33	37.0	36.38	3.3	2.7
23.0	22.0	23.0	23.33	39.0	38.38	3.3	2.7
25.0	24.0	25.0	25.33	44.0	43.38	4.3	3.7

HAJI TOOLS & HARDWARE

HOUSE OF STAINLESS STEEL FASTENERS

Technical Specification of DIN 125



WASHER FOR BOLT

WASHER FOR CHFFSF HD SCREW

Screw Size	Inside Dia in mm d1 (min)	Outside Dia in mm d2 (max)	Thickness in mm H
M1.6	1.70	4.00	0.30
M2	2.20	5.00	0.30
M2.5	2.70	6.50	0.50
M3	3.20	7.00	0.50
M3.5	3.70	8.00	0.50
M4	4.30	9.00	0.80
M5	5.30	10.00	1.00
M6	6.40	12.50	1.60
M7	7.40	14.00	1.60
M8	8.40	17.00	1.60
M10	10.50	21.00	2.00
M12	13.00	24.00	2.50
M14	15.00	28.00	2.50
M16	17.00	30.00	3.00
M18	19.00	34.00	3.00
M20	21.00	37.00	3.00
M22	23.00	39.00	3.00
M24	25.00	44.00	4.00
M26	27.00	50.00	4.00
M27	28.00	50.00	4.00
M28	29.00	50.00	4.00
M30	31.00	56.00	4.00

HAJI TOOLS & HARDWARE

HOUSE OF STAINLESS STEEL FASTENERS

Technical Specification of DIN 433

Screw Size	Inside Dia in mm d1 (min)	Outside Dia in mm d2 (max)	Thickness in mm H
M1.6	1.70	3.50	0.30
M1.8	1.90	4.00	0.30
M2	2.20	4.50	0.50
M2.5	2.70	5.00	0.50
M3	3.20	6.00	0.50
M3.5	3.70	7.00	0.50
M4	4.30	8.00	0.50
M5	5.30	9.50	1.00
M6	6.40	11.00	1.60
M8	8.40	15.00	1.60
M10	10.50	18.00	1.60
M12	13.00	20.00	2.00
M14	15.00	24.00	2.00
M16	17.00	27.00	2.00
M18	19.00	30.00	2.50
M20	21.00	33.00	2.50

HAJI TOOLS & HARDWARE

HOUSE OF STAINLESS STEEL FASTENERS

Technical Specification of DIN 9021

Screw Size	Inside Dia in mm d1 (min)	Outside Dia in mm d2 (max)	Thickness in mm S
M2.5	2.70	8.00	0.80
M3	3.20	9.00	0.80
M3.5	3.70	11.00	0.80
M4	4.30	12.00	1.00
M5	5.30	15.00	1.60
M6	6.40	18.00	1.60
M7	7.40	22.00	2.00
M8	8.40	25.00	2.00
M10	10.50	30.00	2.50
M12	13.00	40.00	3.00
M14	15.00	45.00	3.00
M16	17.00	50.00	3.00
M18	19.00	56.00	4.00
M20	21.00	60.00	4.00