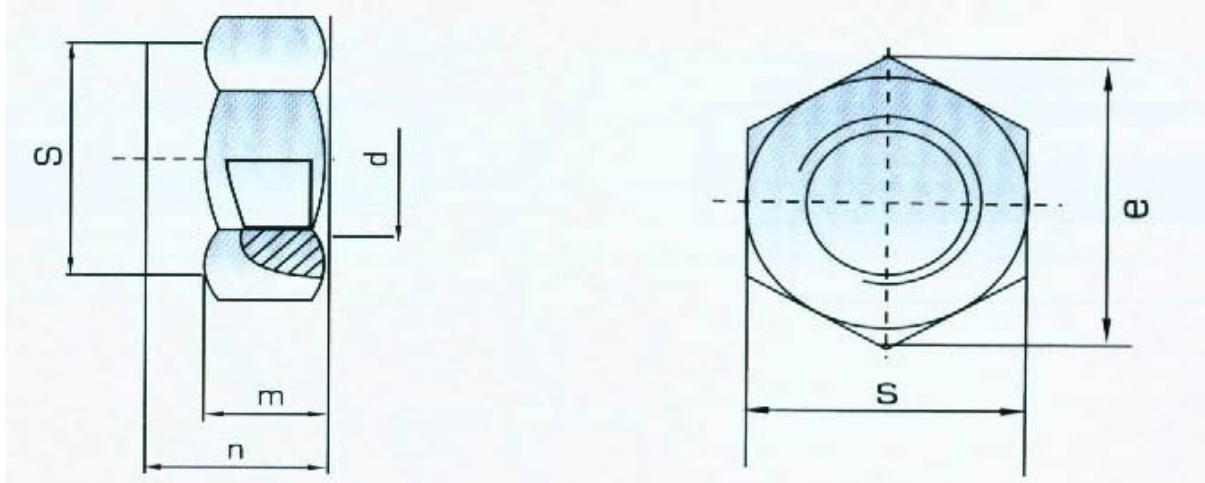


# HAJI TOOLS & HARDWARE

HOUSE OF STAINLESS STEEL FASTENERS

## Technical Specification of Prevailing Torque Type Hexagon with Nonmetallic Insert (Nylock Nut) as per Din 982 / IS:7002-1972 / ISO 7040



Thread Size D	M5	M6	M8	M10	M12	M14	M16
Pitch	0.8	1	1.25	1.5	1.75	2	2
h max	6.3	8	9.5	11.5	14	16	18
min	6	7.7	9.14	11.14	13.64	15.3	17.3
s max	8	10	13	17	19	22	24
min.	7.78	9.78	12.73	16.73	18.67	21.67	23.67
m min	4.34	4.9	6.44	8.04	10.37	12.1	14.1
e min	8.79	11.05	14.38	18.9	21.1	24.49	26.75