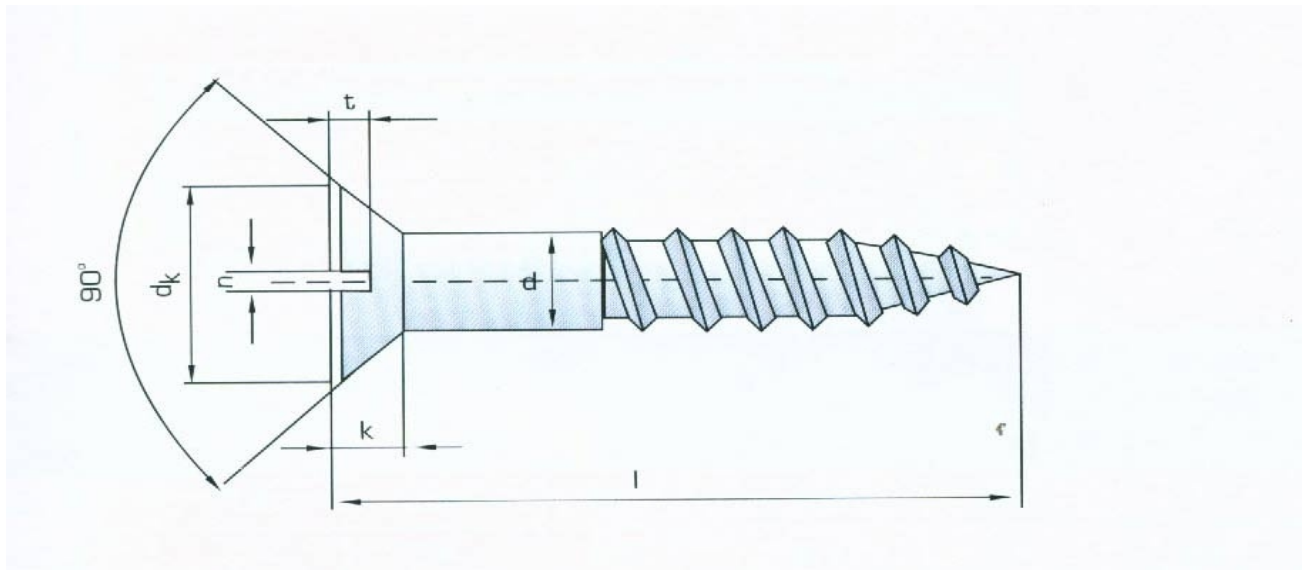


HAJI TOOLS & HARDWARE

HOUSE OF STAINLESS STEEL FASTENERS

Technical Specification of Slotted Countersunk Head Wood Screws as per DIN 97 / IS : 6760-1972



| Thread Size [d] | M2 | [M2.5] | M3 | M3.5 | M4 | M4.5 | M5 | [M5.5] | M6 | [M7] | M8 | M10 |
|-----------------|------|--------|------|------|------|------|------|--------|-------|-------|-------|-------|
| dk max | 4.18 | 5.08 | 5.98 | 6.95 | 7.95 | 8.75 | 9.65 | 10.75 | 11.55 | 13.05 | 15.05 | 18.55 |
| min. | 3.43 | 4.33 | 5.23 | 6.05 | 7.05 | 7.85 | 8.75 | 9.65 | 10.45 | 11.95 | 13.95 | 17.45 |
| k max | 1.2 | 1.5 | 1.65 | 1.93 | 2.2 | 2.35 | 2.5 | 2.75 | 3 | 3.5 | 4 | 5 |
| n max. | 0.7 | 0.8 | 1 | 1 | 1.2 | 1.2 | 1.51 | 1.51 | 1.91 | 2.31 | 2.31 | 2.81 |
| min. | 0.56 | 0.66 | 0.86 | 0.86 | 1.06 | 1.06 | 1.26 | 1.26 | 1.66 | 2.06 | 2.06 | 2.56 |
| t max. | 0.6 | 0.7 | 0.85 | 1 | 1.1 | 1.2 | 1.3 | 1.4 | 1.6 | 1.9 | 2.1 | 2.6 |
| min. | 0.4 | 0.5 | 0.6 | 0.7 | 0.8 | 0.9 | 1 | 1.1 | 1.2 | 1.4 | 1.6 | 2 |