



+91-8048600816

K.M.Engineering Works

<https://www.indiamart.com/kmengineeringworks/>

We are manufacturers and suppliers of **Foundry Handling Equipment, Materiel Handling Equipment & Special Purpose Machines, Mould Handling System.**



About Us

Established in the year 2000, **K.M.ENGINEERING WORKS** has established itself as one of the prominent manufacturers and suppliers of foundry equipment. We also provide turnkey solutions and undertake assembling and designing work at the client's site to deliver cost effective products. Quality oriented and customer centric approach has enabled us to prove our mettle in this ever competitive industry. The Company employs and consults expert professionals in the field of foundry equipment manufacturing to cater to the client's needs. We interact closely with the clients to identify and cater to the ever changing needs of industry and our prime concern is to deliver quality and cost competitive products within the time constraints. Our varied range of products is manufactured using premium quality raw materials like **M.S material, Stainless Steel, Brass and Gunmetal**, which is procured from authorized vendors to deliver zero defect product. Our range includes **Molten Metal Handling System, Manual Winch Assembly, Electric Winch Assembly, Roller Conveyors, Chain Conveyors, Overhead Cranes, JIB Cranes, Industrial Roller Conveyors and others**. We possess a highly scalable and efficient infrastructure with in-house design unit and CAD Software Testing Facility to support the overall process. Further, we package the consignments as per client's specification and strictly observe the warehousing process to ensure superior quality products. The...

For more information, please visit

<https://www.indiamart.com/kmengineeringworks/about-us.html>



WINCH MACHINE



Diesel Winch Machine



Winch Machine



Winch Machine Design Sample



Power Winch Machine

MATERIAL HANDLING EQUIPMENT



Vibrating Sieve Machine



Pouring Ladle



Material Handling Equipment



Tea Spout Ladle

FOUNDRY HANDLING EQUIPMENT



Drum Type Ladle



Foundry Equipment



Foundry Ladle

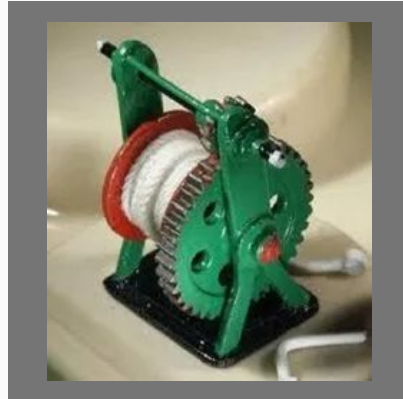


Sand Handling System

WINCH ASSEMBLY



Electric Winch Assembly



Manual Winch Assembly

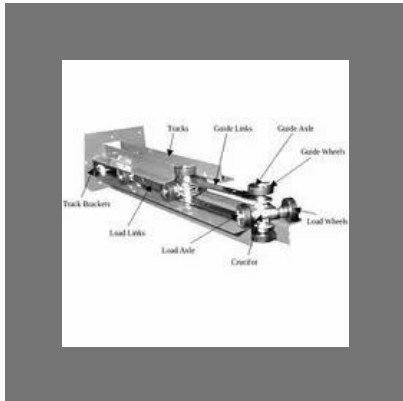


Hydraulic Winch Assembly



Winch Assembly

CONVEYOR SYSTEM



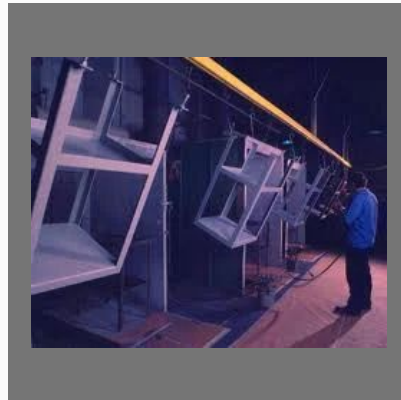
Overhead Conveyor



Belt Conveyor



Chain Conveyor



Painting Conveyor

OTHER PRODUCTS:



Hand Winch Machine



Industrial Washing Machine



Foundry Bushes and Pins



Mechanical Winch Assembly

OTHER PRODUCTS:



Ingot Conveyor



SS Fabrication Service



Fabrication Service



Winch Gear Assembly

Factsheet

Year of Establishment : 2012

Nature of Business : Exporter and Manufacturer

Total Number of Employees : Upto 10 People



CONTACT US

K.M.Engineering Works

Contact Person: Kamlesh Mehta

Plot No. 29, Gate No. 411, Behind Mahale Filters, Urawade Pirangut
Pune - 412108, Maharashtra, India



+91-8048600816



<https://www.indiamart.com/kmengineeringworks/>