



+91-8068442294

# Aarya Technologies

<https://www.indiamart.com/aarya-techno/>

Aarya Technologies is a group of young & dynamic Engineers headed by People from Industrial and educational field.



## About Us

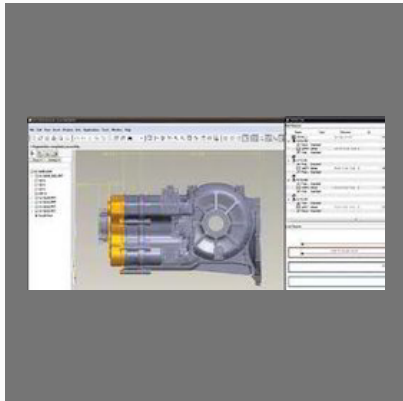
Aarya Technologies is a group of young & dynamic Engineers headed by People from Industrial and educational field. Our aim is to use the experience gained by our personnel & skilled CAD/CAM/CAE experts to train students and Engineering professional with high standards of quality. We are associated with various industries in and around ,kolhapur which provides cutting edge Solution in latest technologies that caters the need of today's industries on CAD/CAM/CAE Platform. In addition Aarya Technologies is an Authorised training partner for PTC (Pro-Engineer) for the Kolhapur district. Aarya Technologies Services expertise in providing cutting edge solution in the latest technologies that caters to the needs of plastic automobiles, manufacturing, casting tooling & Variety of other industries on CAD CAM CAE platform.

**For more information, please visit**

<https://www.indiamart.com/aarya-techno/aboutus.html>



## OTHER SERVICES



Mold Design & Nc Milling In  
Pro/Engineer Wildfire 4.0



Metal Product Designing



Product Designing Services



Cad-Cam Training Services

## OTHER SERVICES:



2D to 3D Conversions Service



Sheet Metal Designing Service



Analysis & Optimization Of Product Design Service

# Factsheet

Nature of Business

:Service Provider

---



## CONTACT US

### **Aarya Technologies**

Contact Person: Madan Chouhan

Salokhe Estate, Opposite Sales Tax Office Kasaba Bawada Road  
Kolhapur - 416005, Maharashtra, India



+91-8068442294



<https://www.indiamart.com/aarya-techno/>