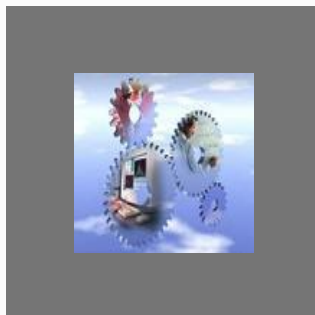
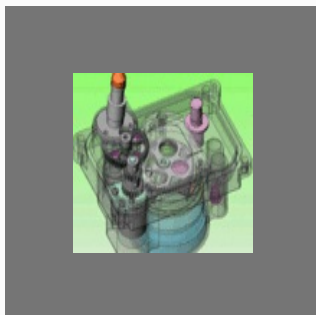


+91-8048600669

A. G. Design Engineering Consultancy

<https://www.indiamart.com/agdesign/>

A.G. Design Engineering Consultancy is an innovative and service oriented engineering and design firm, specializes in providing the necessary skill and resources for your engineering design, product development & manufacturing needs.



About Us

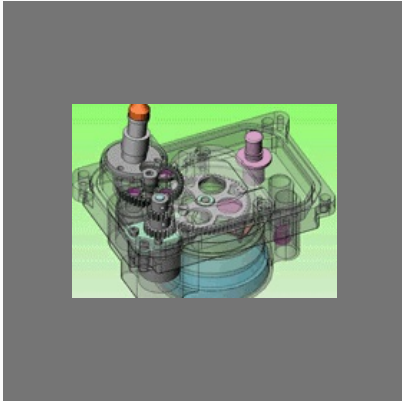
Established in the year **2009**, we, “**A.G. Design Engineering Consultancy**” are one of the leading organizations engaged in rendering a broad spectrum of **Product Design and Development Services**. Our range consists of **CAD Services, Onsite Support, 3D modeling and Product Design & Project Management Services**. All these services are carried out as per the specifications and drawing given by our clients to fulfill their needs and requirements. ***Ability is what you're capable of doing. Motivation determines what you do. Attitude determines how well you do it.*** and our team of expert professionals provides multi-disciplinary product design consultancy from the initial concept to the final working products. It uses all the available resources for executing all services that we offer to our esteemed clients. Presently, we have offices in India as well as in USA that help us in rendering excellent services to our clients globally. We provide excellent consultancy services to our clients to meet their requirements and ever growing demands in a better way. All the above mentioned factors have enabled us to garner a huge client base, which includes **Proctor & Gamble (India), Jain Irrigation Systems Ltd., Nandan GSE Pvt. Ltd., GE Parallel Design (Tempe, AZ)** and **Technical Associates (Albany, GA)**.

For more information, please visit

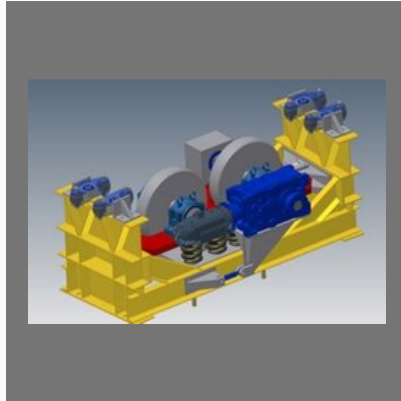
<https://www.indiamart.com/agdesign/profile.html>



CAD SERVICES



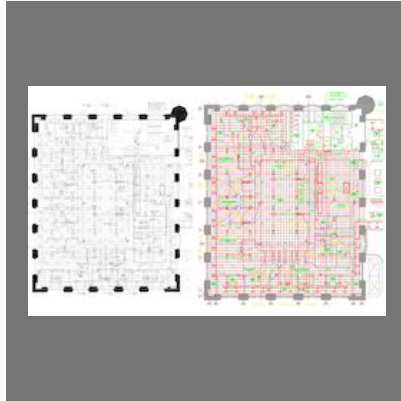
3D Modeling Services



3D CAD Design Service



Product Styling

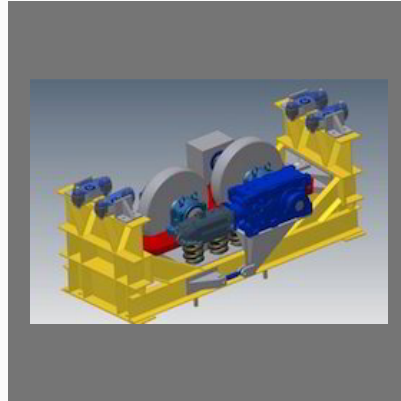


Drafting Services

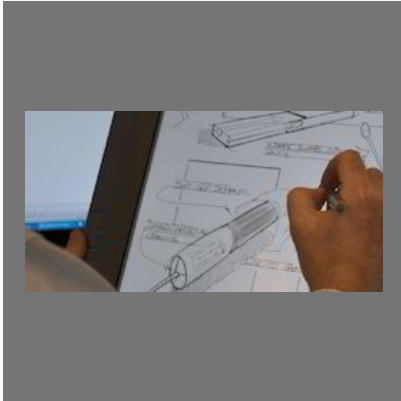
PRODUCT DESIGN & DEVELOPMENT



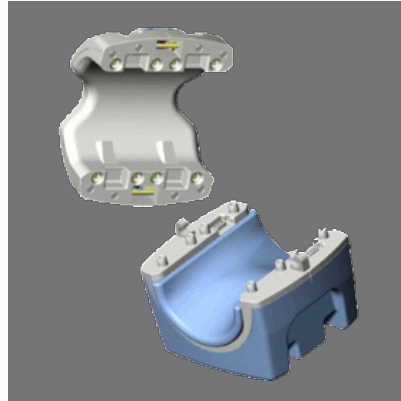
Product Design Services



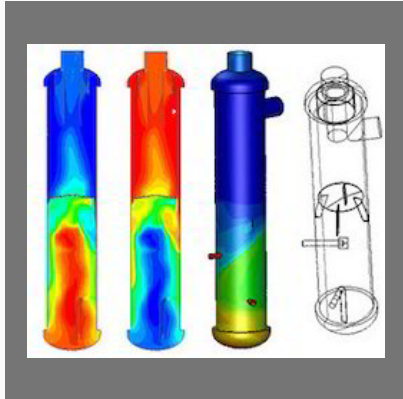
Machine Design Services



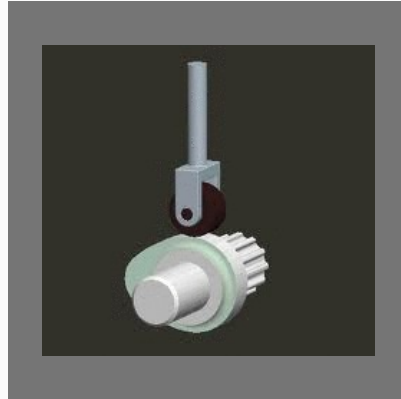
Conceptual Engineering Services



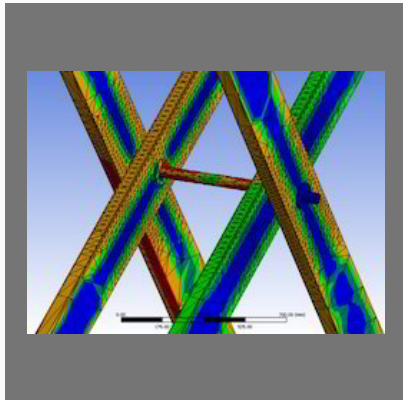
Design For Manufacturability



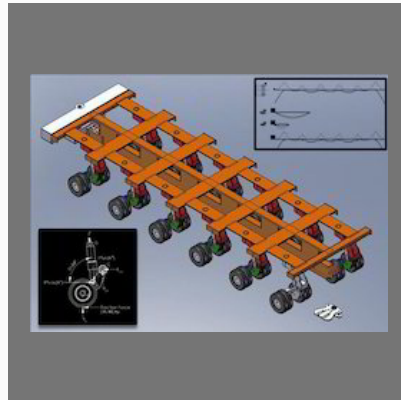
CFD Analysis Services



3D Animation & Rendering



Finite Element Analysis Services

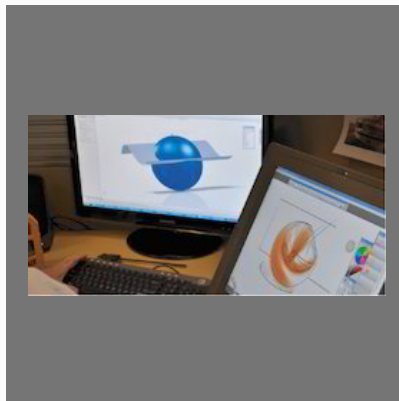


Computer Aided Engineering Services

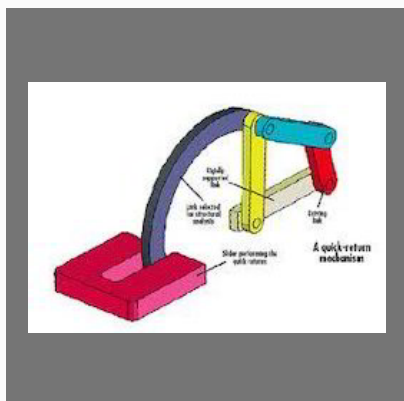
OTHER SERVICES:



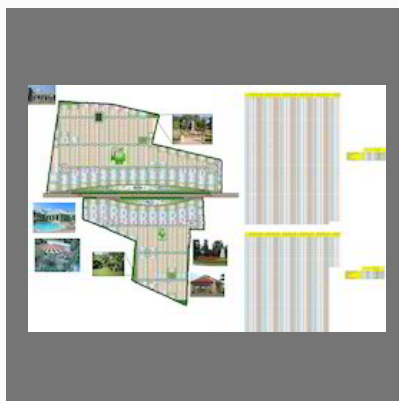
Reverse Engineering Services



Design Intent Cad Modeling

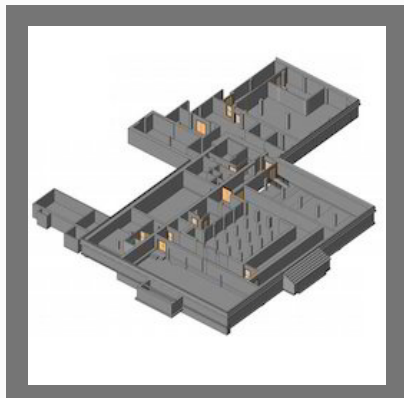


Dynamic Motion Analysis Services

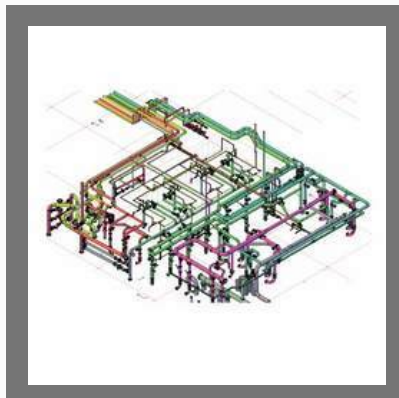


CAD Detailing

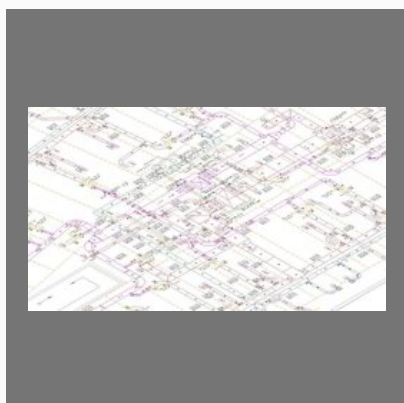
OTHER SERVICES:



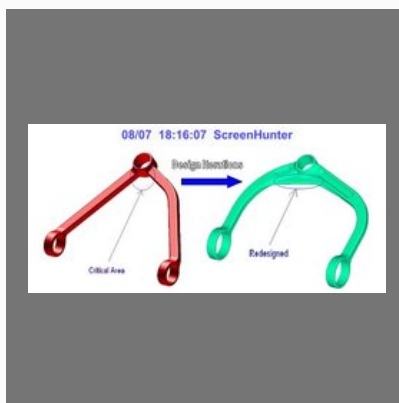
3D Modeling & Rendering Services



MEP Cad Services



HVAC Services

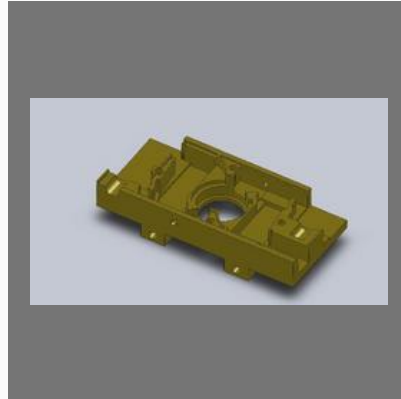


Design Optimization Service

OTHER SERVICES:



FMCG Products Design



CNC Machining Services



Rapid Prototyping Solutions

Factsheet

Year of Establishment : 2009

Nature of Business : Service Provider

Total Number of Employees : Upto 10 People



CONTACT US

A. G. Design Engineering Consultancy

Contact Person: Ajay Govind

Flat No. 3, Shelton, 10th N-S Road J. V. P. D. Scheme
Mumbai - 400049, Maharashtra, India



+91-8048600669



<https://www.indiamart.com/agdesign/>