

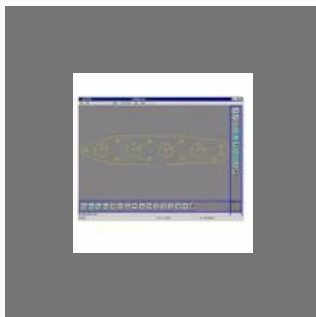


+91-8047642049

Antech Micro Systems Pvt Ltd

<https://www.indiamart.com/antech-microsystem/>

We, Antech Microsystem Pvt. Ltd. started with the manufacturing and service providing of CNC Machines Programming Software, Siemens PLM Software and FE 12 Electronic Floppy Disk Emulator etc.



About Us

Antech Microsystem Pvt. Ltd. started with the **manufacturing and service providing of CNC Machines Programming Software, Siemens PLM Software and FE 12 Electronic Floppy Disk Emulator etc**, in the year **1994**. Since the beginning we listen to customer's suggestions carefully developed PC-CNC communication utility for our esteemed customer M/s Sumax precision, Pune. It was converted to a product DNC and over a period of time developed many add ons and related equipments like BTR-RE93 etc.

Inspiration from LordGanesh

This God of knowledge and the remover of obstacles is also the older son of Lord Shiva. Lord Ganesha is also called Vinayak (knowledgeable) or Vighneshwer (god to remove obstacles). He is worshipped, or at least remembered, in the beginning of any auspicious performance for blessings and auspiciousness.

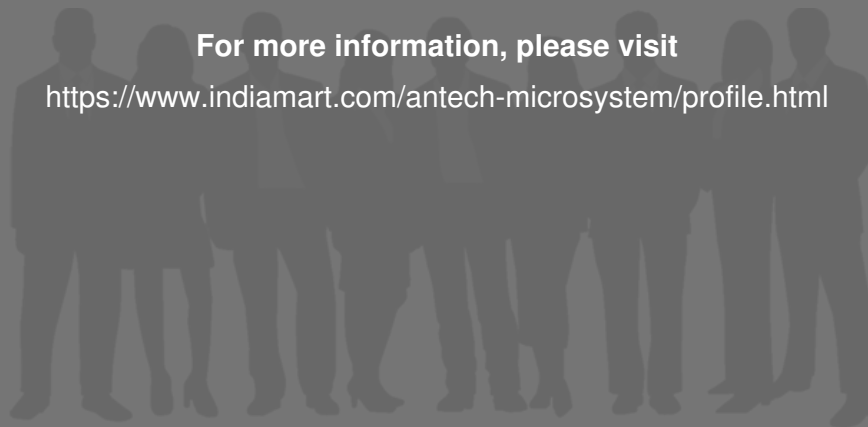
He has four hands, elephant's head and a big belly. His vehicle is a tiny mouse. In his hands he carries a rope (to carry devotees to the truth), an axe (to cut devotees' attachments), and a sweet dessert ball -laddoo- (to reward devotees for spiritual activity). His fourth hand's palm is always extended to bless people.

A unique combination of his elephant-like head and a quick moving tiny mouse vehicle represents tremendous wisdom, intelligence, and presence of mind.

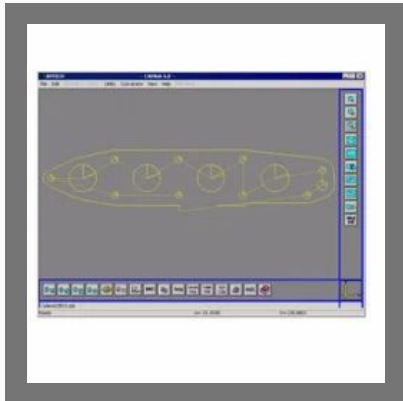
Lord Ganeshjee's big head inspires us to think big and think profitably; the big ears prompts us to listen patiently...

For more information, please visit

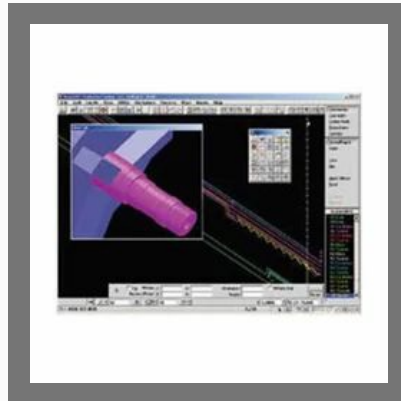
<https://www.indiamart.com/antech-microsystem/profile.html>



CNC MACHINES PROGRAMMING SOFTWARE



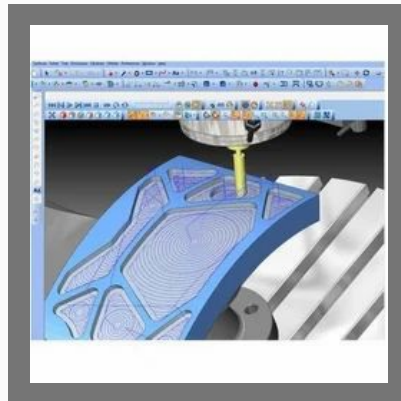
CNC Wire Cut EDM Software



Programming Software For
CNC Turning Machine

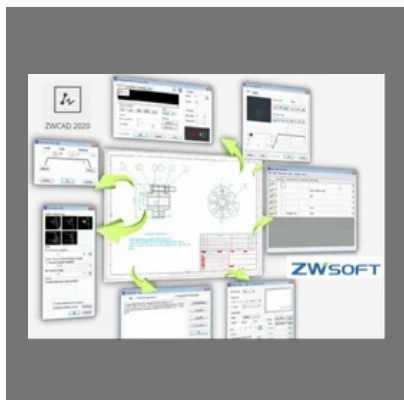


CNC Machine Monitoring
Software

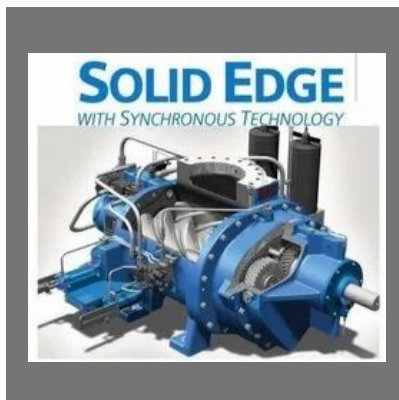


Programming Software For
CNC Milling Machine

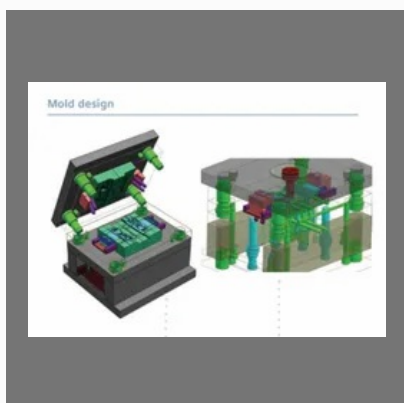
OTHER PRODUCTS:



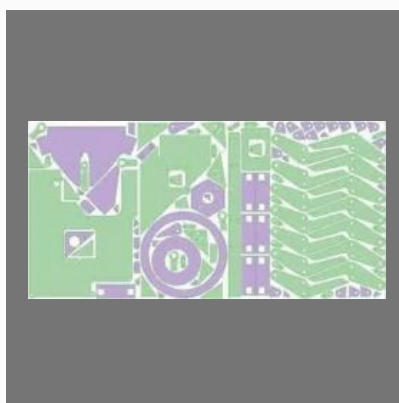
ZW CAD Software



CAD Software



NX CAD CAM Software

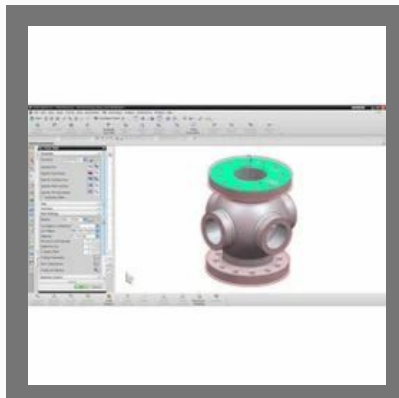


Nesting Software

OTHER PRODUCTS:



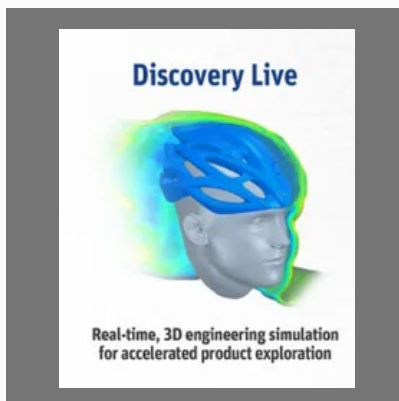
USB DNC Device



Solid Edge CAM Pro



Autocad Training Course



ANSYS CAE Software

Factsheet

Year of Establishment : 1994

Nature of Business : Exporter and Manufacturer

Total Number of Employees : 11 to 25 People



CONTACT US

Antech Micro Systems Pvt Ltd

Contact Person: Anant Tikone

4, Chandra Mohini Lane 4 Subhas Nagar, 1227, Shukrawar Peth
Pune - 411002, Maharashtra, India



+91-8047642049



<https://www.indiamart.com/antech-microsystem/>