



+91-8048370218

# Mantra Filtration Products

<https://www.indiamart.com/company/1735442/>

We are one of the leading companies in the field of environmental engineering. Our expertise lies in offering professional designing, manufacturing, marketing & installing solutions for air pollution control systems.



## About Us

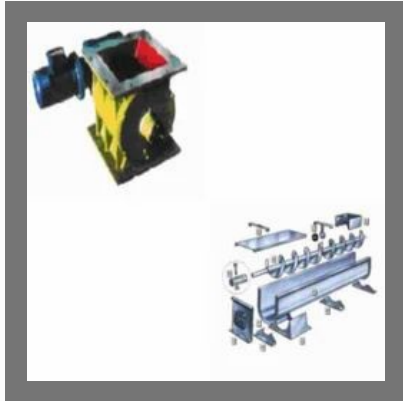
Established in the year 2009, at Indore, Madhya Pradesh, India, we “**Mantra Filtration Products,**” are a leading company in the field of Environmental Engineering. This includes professional designing, manufacturing, marketing and installing of best systems for **Air Pollution Control**. The products we are offering include **Filtration Products** including Pulse Jet Bag Filter System and Electrostatic Precipitator Systems; **Spares of Pulse Jet Bag Filter System** including Filter Bags/Dust Collector Bags, Bag Supporting Cages & Ventury, Pleated Cartridge Filter Bags, Solenoid Pulse Valve & Sequential Timer, Rotary Air Lock Valves & Screw Conveyor, Accessories for RABH and I D Fan / FD Fan. Other than this, we also offer **Spares of Electrostatic Precipitator Systems** including Insulators, Collecting plates, Discharge Electrode / Emitting Spring and Migi Rapper Coils. Our business operations are led by **Mr. Gajendra Bhadore**, who has with him rich industry experience spanning over **10 years in the field of Environmental Engineering**. His visionary business approach as well as dedicated service support provided by experienced team of professionals allows us to successfully handle the emerging equipment and spare demands of varied industries. Today, the entire range of products offered by us is extensively demanded in industries like **Pharmaceuticals, Powder coating, Steel & Power, Shot blasting,...**

For more information, please visit

<https://www.indiamart.com/company/1735442/profile.html>



# FILTER SYSTEM SPARES



Rotary Air Lock Valves



Bag Supporting Cages



Pleated Cartridge Filter Bags



Solenoid Pulse Valve

# ELECTROSTATIC PRECIPITATOR SYSTEM SPARES



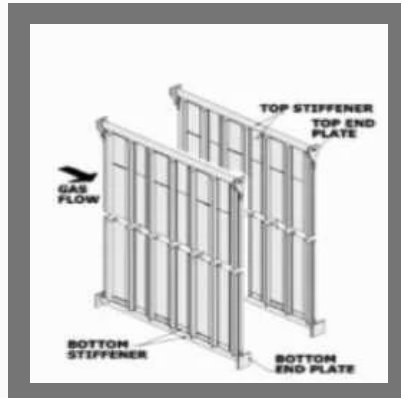
Emitting Springs



Voltage Support Insulators



Migi Rapper Coil

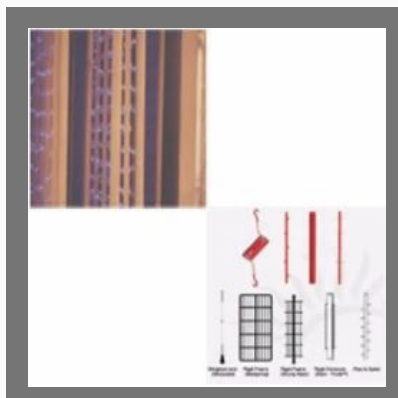


Collecting Plates

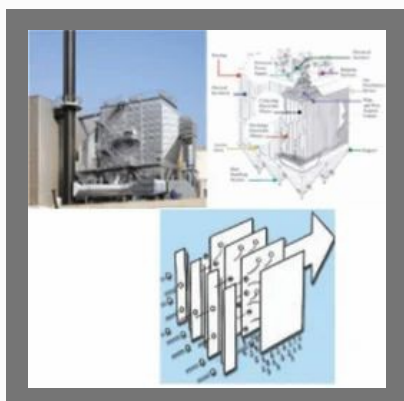
## OTHER PRODUCTS:



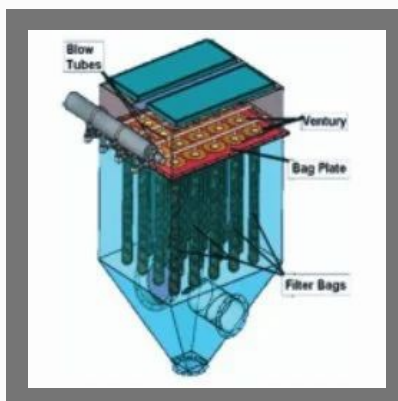
Accessories For Reverse Air Bag House



Discharge Electrode



Electrostatic Precipitator Systems



Pulse Jet Bag Filter System

# Factsheet

Year of Establishment : 2009

---

Nature of Business : Manufacturer

---

Total Number of Employees : Upto 10 People

---



## CONTACT US

### **Mantra Filtration Products**

Contact Person: Gajendra Bhadore

No. 56/3/3, SK- 01, Compund Dewas Naka Lasudia Mori  
Indore - 452010, Madhya Pradesh, India



+91-8048370218



<https://www.indiamart.com/company/1735442/>