

Crystal Mechanicals Private Limited

<https://www.indiamart.com/crystal-exports/>

Manufacturer and exporter of saddles, dome covers, copper ferrule etc.



About Us

Crystal exports is a new generation company striving for greater perfection in the electrical industry. We are manufacturers of vast range of electrical components used for transmitting, jointing, supporting, earthing and other safety electrical products used in electrical systems. Our manufacturing facilities are located in vasai, a fast developing industrial hub on the outskirts of mumbai city. Here we manufacture and produce high quality cable terminals in house. The plant is self sufficient and is producing 300 mt finished cable lugs annually with further capacity for expansion. Our in house tool room and passion for development allows us to take interest in new products for development. At crystal exports the norm is quality and adhering to the timely delivery of goods. All our products meet international standards and are checked thoroughly vide rigorous testing and inspection schedules. Near future plans are steps towards iso. Our products are supplied to electrical trading establishments, contractors, projects and oem? S world wide. We invite you to view our product gallery here. Also we welcome new collaborations and distributorship rights for new markets world wide.

For more information, please visit

<https://www.indiamart.com/crystal-exports/aboutus.html>



ELECTRICAL COMPONENTS



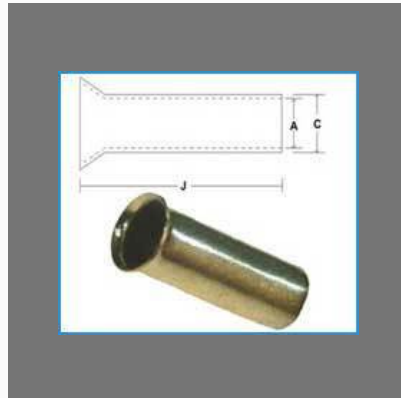
Aluminium Adaptors



Wire Pin Terminals Crimping



Conduit Fittings



End Sealing Ferrules Crimping

EARTHING ACCESSORIES



Earth Cable Clamp



U Bolt Rod Cable Clamp

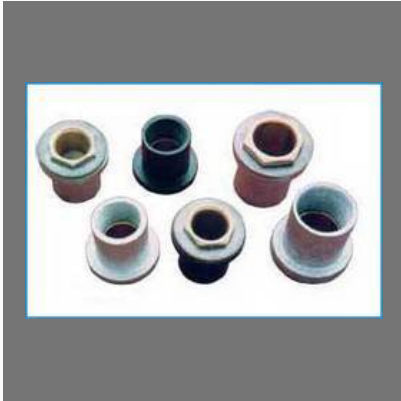


Copper Bar



Flat Copper Tape

G I CONDUIT ACCESSORIES



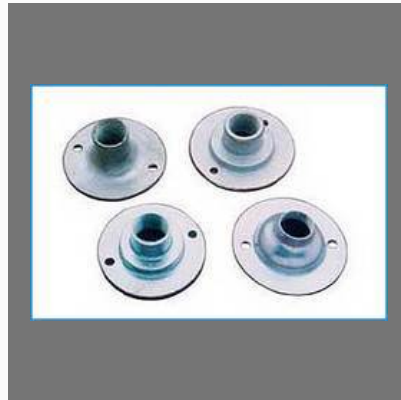
Flanged Couplers



Lock Ring

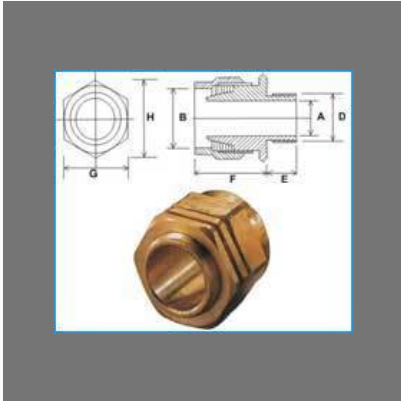


Saddle Spacer Bar

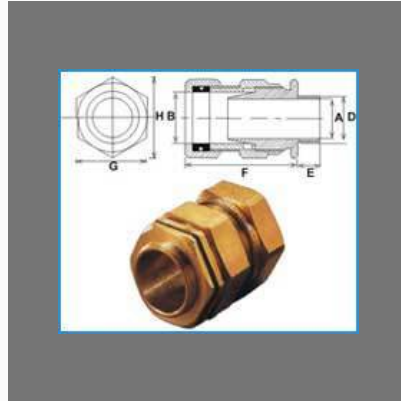


Dome Covers

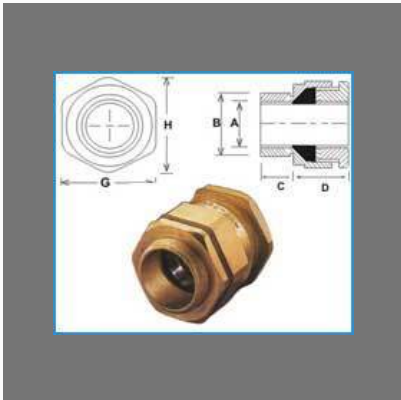
CABLE GLANDS



Bw Gland



Cw Gland



A2 Gland

OTHER PRODUCTS:



U Clamps Galvanised



Earth Blocks

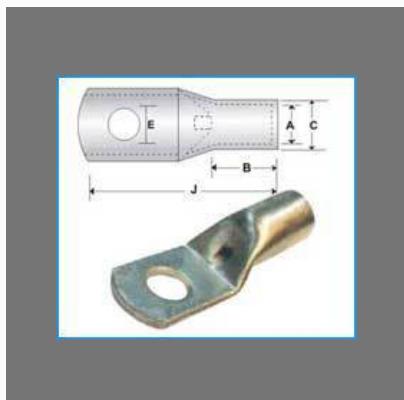


Lid Covers Round

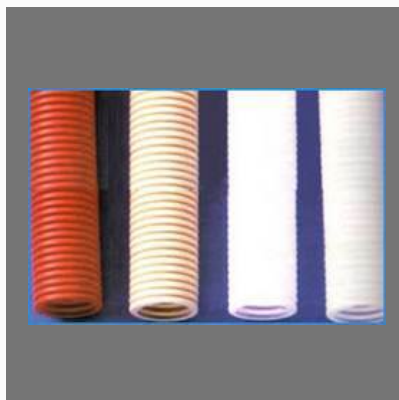


Cable Lug

OTHER PRODUCTS:



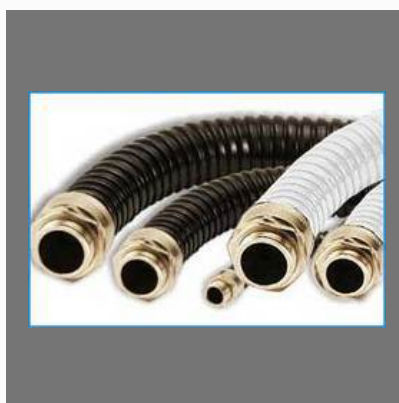
Tubular Cable Lug



Pvc Flexible Pipes



Flexible Braid Bond



Coated Conduits

Factsheet

Nature of Business

:Exporter



CONTACT US

Crystal Mechanicals Private Limited

Contact Person: Suresh Nair

'Crystal House', Buildign No. 4, Behind Blue Berry Industrial Estate, Near Meenakshi Industrial Estate, No. 1, Nakpada, Valiv, Vasai (E)
Thane - 401208, Maharashtra, India



+91-9320074408



<https://www.indiamart.com/crystal-exports/>