

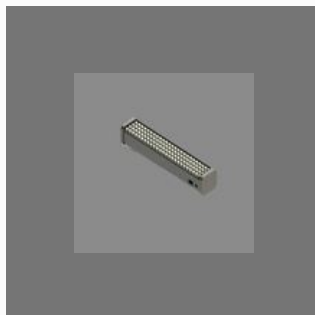
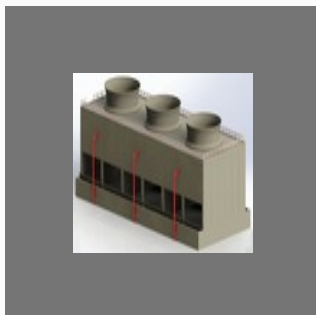


+91-9344605170

Dharaneesh Technology Service

<https://www.indiamart.com/dharaneeshtechologyservice/>

We are one of the leading manufacturer, exporter supplier and trader Dry Cooling Tower, Heat Exchanger and other tailor made quality products for customers requirement. We also provide Piping Work, FRP Work and many more.



About Us

Established in the year **2010**, **Dharaneesh Technology Service** is one of the most experienced **manufacturer, exporter, supplier and trader** of the industry specific products such as **Dry Cooling Tower, Heat Exchanger and other tailor made design for customer requirements**. We also provide **Piping Work, FRP Work** and many more. We have a highly sophisticated manufacturing unit which has been incorporated with the latest industrial technology. Having a great deal of experience in the industrial domain, we now become a leading force in the market domain offering high-end expertise. In order to support and efficient production unit, we also have a well structured supply chain which has the capability to withstand all market challenges. The entire production activities are backed by a professional bunch of talented professionals who have the experience and the expertise to deal with various market related challenges.

The company has been able to perform exceedingly well under the leadership of **Mr. Subbaiyan Nandagopal** who has used all his experience to create a structured and quality centric process. He has always stood for the fact that the employees must be given regular training to stay well informed about the various technological advancements in the industry. He has also recommended the incorporation of many innovative technologies which has helped us to deliver products as per the set industrial guidelines.

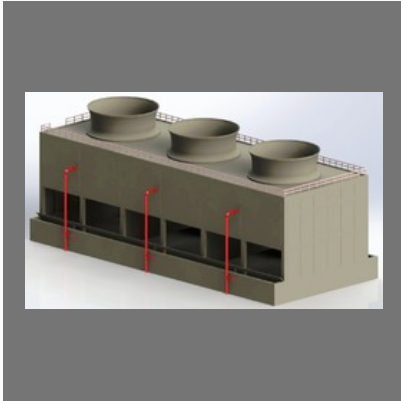
Over a...

For more information, please visit

<https://www.indiamart.com/dharaneeshttechnologyservice/about-us.html>



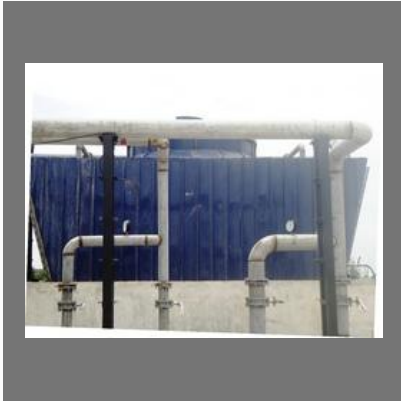
EVAPORATIVE COOLING TOWER



RCC Cooling Tower



Square Shape Cooling Tower



FRP Cooling Tower



Pultruded FRP Cooling Tower

EMERGENCY LIGHT CABINET



Emergency Light Cabinet



Air Receiver Tank



Agitator Tank



Mixing Tank

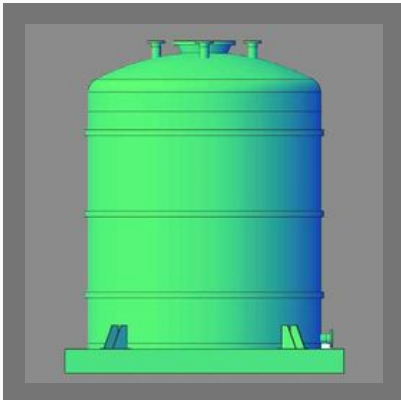
PRESSURE VESSEL



Vertical FRP Storage Tank



Vertical Air Receiver Tank

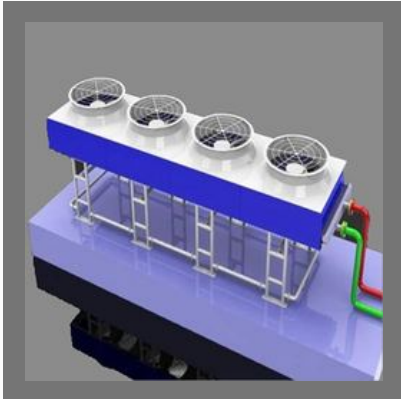


Stainless Steel Storage Tank

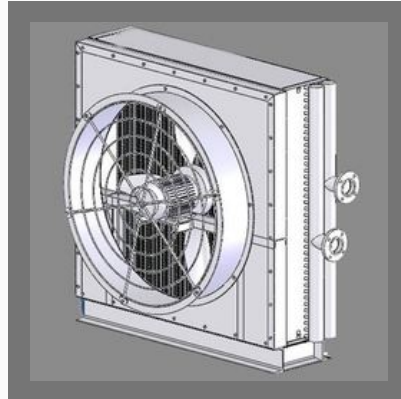


Stainless Steel Mixing Tank

DRY COOLING TOWER



Horizontal Dry Cooling Tower



Space Saver Dry Cooling Tower



Vertical Dry Cooling Tower

HEAT EXCHANGER



Shell & Tube Heat Exchanger



Plate Heat Exchanger



Shell & Tube Heat Exchanger Bundle

OTHER PRODUCTS:



Cross Flow Cooling Tower



SS Mixing Tank



FRP Work



PPGL Bonded With FRP
Mixing Tank

Factsheet

Year of Establishment : 2010

Nature of Business : Manufacturer

Total Number of Employees : 11 to 25 People



CONTACT US

Dharaneesh Technology Service

Contact Person: Subbaiyan Nandagopal

No. 10, Ramar Street, Srinivasa Nagar Upplipalayam
Coimbatore - 641045, Tamil Nadu, India



+91-9344605170



<https://www.indiamart.com/dharaneeshttechnologyservice/>