



# Dolphin Exports

<https://www.indiamart.com/dolphin-exports/>

We are dealing in HARDY Taiwan make Special Purpose Machine for Drilling & Tapping (SPM), Multi Spindle Drilling & Tapping Machine, Drilling & Tapping Unit Servo Type, Boring & Milling Head Unit, Tapping Head Unit Pitch Controlled, etc.



## About Us

Established in year 2001, Our Company **Dolphin Exports** has gained marvellous reputation as a Star supplier of various finished products in flat steels and scrap metals globally, also we are known globally as manufacturer and exporter of various high quality casting, forging and precision items to our esteemed clients globally.

In efforts to provide world class quality to our valuable clients we have joined hands with **Han Kuen Machinery & Hardware Co. Ltd** , **TAIWAN** for distribution of **HARDY BRAND** machines into India market.

Hardy Products needs no introduction as these are well known into engineering and industrial sectors globally from last many decades in terms of quality, rigidity and durability.

Our offered products are procured from our in house workshops or from honest and trustworthy vendors of the industry globally that are well-known for their quality approved products. The products provided by us are highly acknowledged among our patrons for their remarkable performance and parameter such as excellent strength, rugged design, resistant against corrosion, elevated durability, precise dimensions, etc. In order to furnish the vast preferences of the patrons, we provide these products in various specifications at rock bottom prices within the specified time frame. Because of our incomparable quality and timely delivery our products are widely demanded by various...

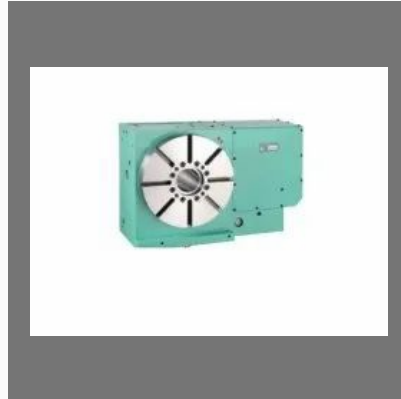
**For more information, please visit**

<https://www.indiamart.com/dolphin-exports/profile.html>





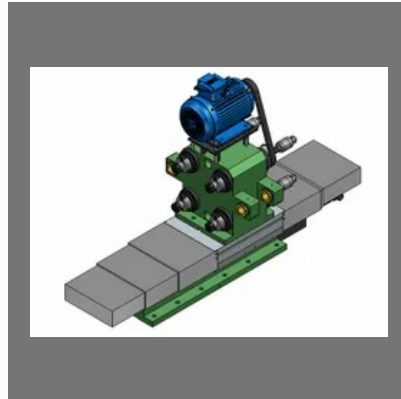
Hydraulic Speed Controller /  
Regulator



CNC Hydraulic Coupling Gear  
Indexer



Built In Motor Spindle Unit



Hardy Taiwan Assembly Unit  
Fixed Distance Multiple  
Spindles

# DRILLING AND TAPPING SPINDLE HEAD SERVO TYPE



Tapping Spindle Head Flange Type / Lead Screw



Drilling / Tapping Spindle Head Servo Type

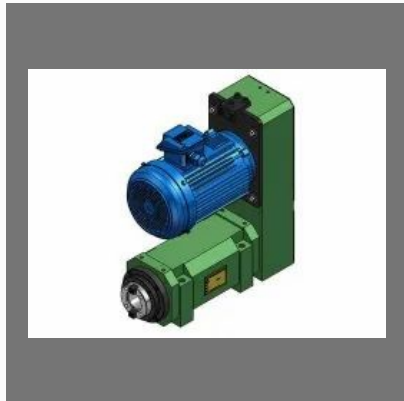


NC Servo Spindle & Hydraulic Slide Drilling Unit



Servo Drilling and Tapping Head Unit

# MILLING & BORING HEAD UNIT



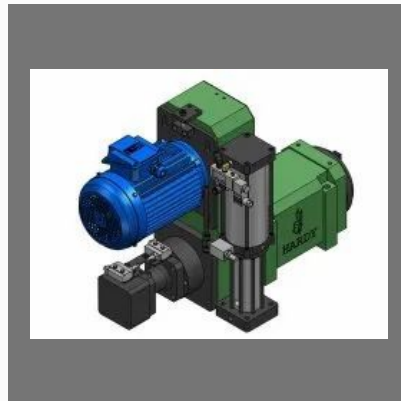
Boring / Milling Head Unit



Boring / Milling Head Unit With Unclamping Cylinder



Boring and Milling Head Unit



Boring / Milling Head Unit / With Auto Unclamping Cylinder

# DRILLING & TAPPING HEAD UNITS MACHINES



Servo Auto Feed Drilling Head Unit Spm



Drill Head Hardy Taiwan



Servo Drilling and Tapping Spindle Head



Multi Spindle Drilling Head Unit Hardy Taiwan

## SPECIAL PURPOSE MACHINE SPM



SPM for Drilling and Tapping Purpose



Industrial SPM Machine Manufacturing

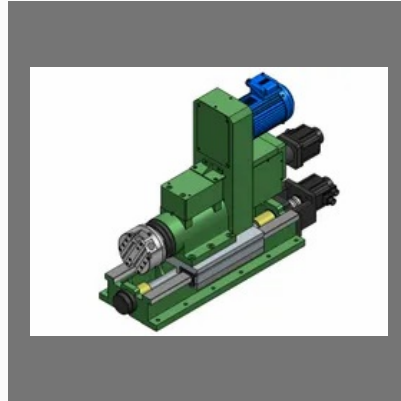


Special Purpose Machines SPM

# SINGLE OR DOUBLE SIDE FACING HEAD SERVO TYPE



Double Side Facing Head



Facing Head Spindle with CNC Slide



Facing Spindle Head Unit Servo Type



Facing Spindle Head Servo Flange Type Machine



# SERVO DRILLING & TAPPING HEAD UNIT FLANGE TYPE



Hardy Taiwan Servo Drilling / Tapping Spindle Flange Type



Servo Drilling / Tapping Spindle Head - Flange Type



Drilling / Tapping Spindle Head Servo Flange Type

# DRILLING SPINDLE HEAD UNIT HYDRAULIC & PNEUMATIC



Drilling Spindle Head Unit - Hydraulic

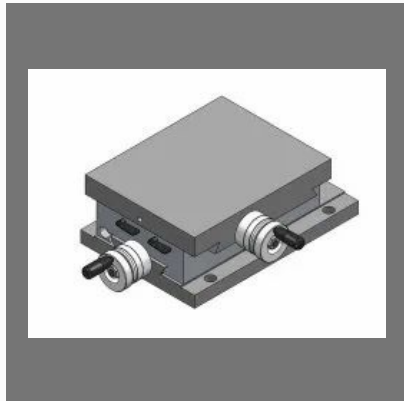


Hardy Taiwan Drilling Head Unit - Hydraulic / Pneumatic

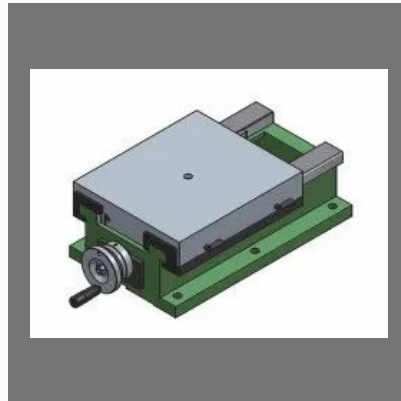


Drilling Head Units

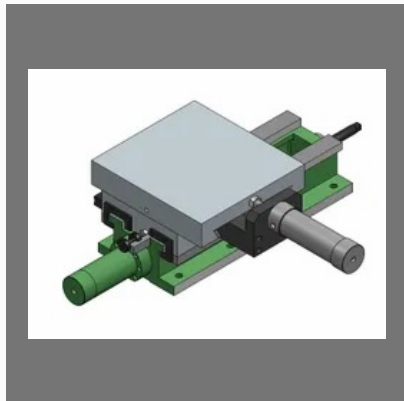
## SLIDE TABLE



Hardy Taiwan Cross Sliding Table

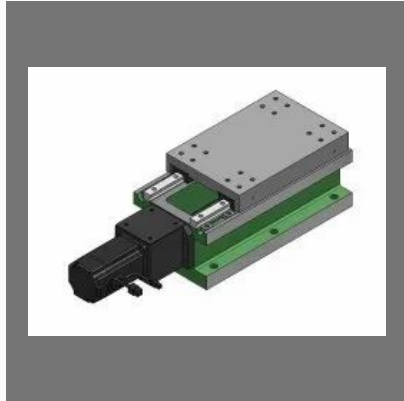


Hardy Taiwan Lead Screw Slide



Hydraulic Cross Slide Table

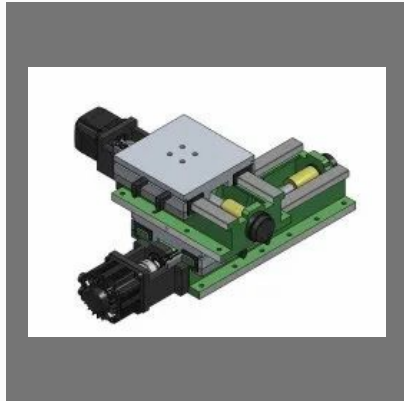
# SERVO SLIDE TABLE



Servo Slide With Linear Guideway & Ball Screws

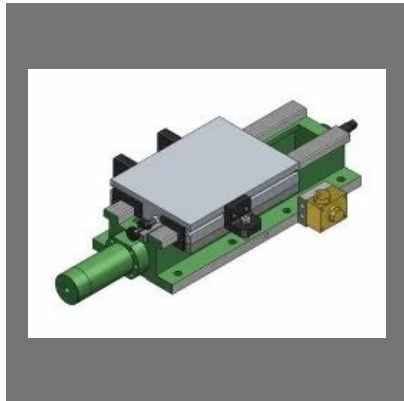


Servo Slide Table

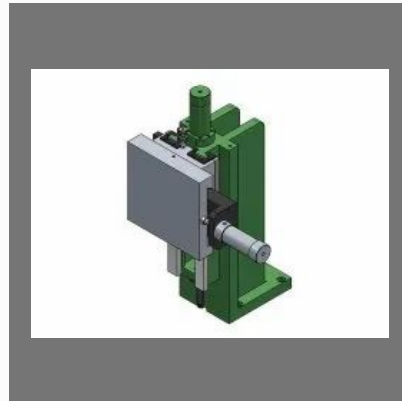


Servo Cross Slide Table

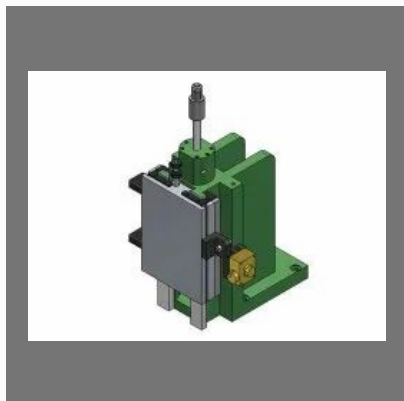
# HYDRAULIC SLIDE TABLE



Hydraulic Slide Table Unit



Vertical Cross Slide Table



Powerful Type Vertical  
Hydraulic Slide Unit

## NEW ITEMS



Rotary Cam Indexer



H R Off Cut Sheets / H R Coil  
End Cut



C R Coils / Cold Rolled Coils



S S Sheet

## OTHER PRODUCTS:



Air Swing Clamp Cylinder



Drilling / Tapping Spindle Head Unit - Servo / Flange Type



Drilling and Milling Spindle Head Hydraulic Type



Multi Spindle Drilling Tapping Heads

## OTHER PRODUCTS:



Boring Milling Spindle Head



Drilling / Milling Spindle Head Hydraulic Type



Hardy Taiwan Multi Spindle Head



Adjustable 2 Spindle Drilling Head Unit - Pneumatic / Hydraulic Feed



## OTHER PRODUCTS:



Hardy Taiwan Stationary  
Hydraulic / Pneumatic Chucks



Rotary Hydraulic / Pneumatic  
Chucks



Hydraulic Coupling Gear  
Indexer



High Speed Gear Indexer  
Rotary Table

## OTHER PRODUCTS:



Rotary Cam Indexing Drive /  
Rotary Indexer



Facing Spindle Head - Servo /  
Flange Type

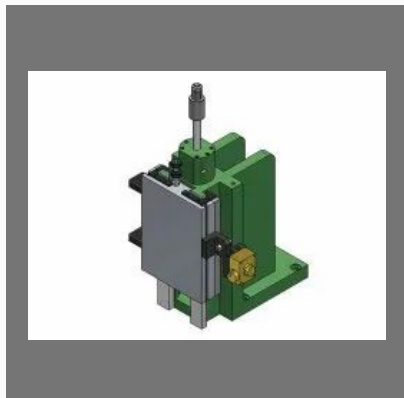


CR Pup Coils / Baby Coils  
TATA / POSCO



Powerful Type Vertical Lead  
Screw Slide Unit

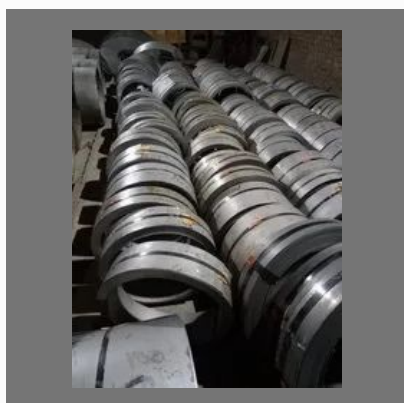
## OTHER PRODUCTS:



Vertical Cross Table with Hydraulic



Tapping Head Unit - Pitch Controlled



H R / Hrpo Slit Coils

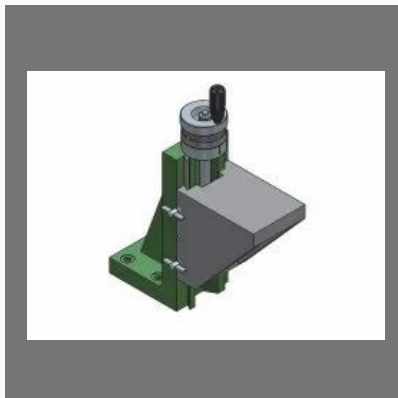


Tapping Head Units - Lead Screw Type

## OTHER PRODUCTS:



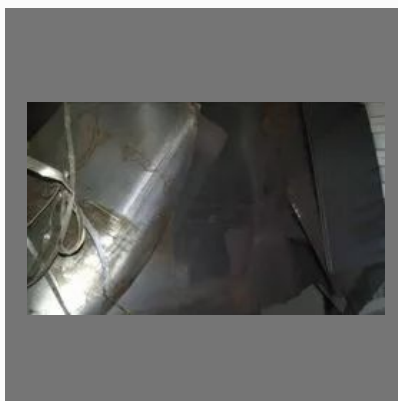
Railway Axle Scrap



Vertical Platform Slide



Nylock Nut



Stainless Steel Sheets

# Factsheet

Year of Establishment : 2001

---

Nature of Business : Exporter and Manufacturer

---

Total Number of Employees : Upto 10 People

---



## CONTACT US

### **Dolphin Exports**

Contact Person: Chetan Sharma

F- 343, Phase- 5, Focal Point  
Ludhiana - 141010, Punjab, India



+91-8046051088



<https://www.indiamart.com/dolphin-exports/>