

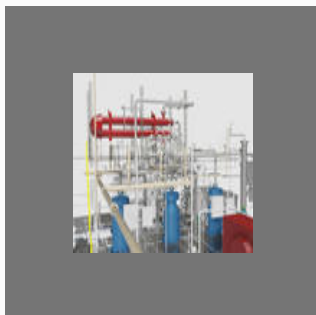


+91-8046077869

Dsr Design & Engineering Solutions

<https://www.indiamart.com/dsrdesign-engineeringsolutions/>

We are the prominent service provider of 3D Mechanical Drafting Service, Mechanical Engineering Finite Element Analysis, Reverse Engineering Service, 2D Mechanical Drafting Service and many more. All these services are timely rendered.



About Us

Commenced in the year **2016**, **Dsr Design & Engineering Solutions** is counted among the most trusted name in the market. Our company is a **partnership** based firm. Head quarter of our company is located at **Hyderabad, Telangana (India)**. We are the topmost **service provider** of **3D Mechanical Drafting Service, Mechanical Engineering Finite Element Analysis, Reverse Engineering Service, 2D Mechanical Drafting Service** and many more. We have been able to ensure to render these services by our experts within the given time frame. Our company has earned a unique reputation in the field of mechanical engineering, CAD (Computer aided design) solutions while offering you the best, cost effective and innovative services to your development needs. We have been targeted by popular engineering companies, aerospace industries, auto mobile giants and other great domains that have displayed their interest and confidence in creativity, valued-added services. Hailed high by the trust of valued customers and innovative approach of our Engineers, CAD designers and technician, we are pleased to offer you quality engineering, CAD solutions for a wide range of services. The success of our company can be simply attributed to the vast expertise of the experts and team of experience and excellent touch with the latest and innovative engineering technology & analytic that has been working for the consumers. Of course, we will not only offer...

For more information, please visit

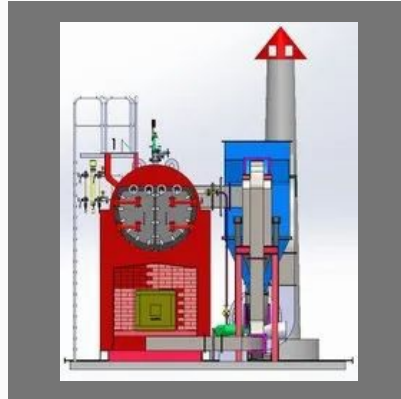
<https://www.indiamart.com/dsrdesign-engineeringsolutions/about-us.html>



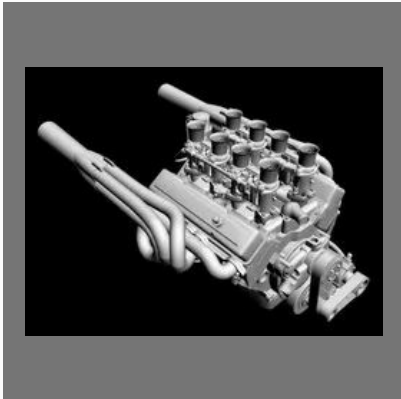
DESIGNING SERVICE



Pipe Designing Service



High Pressure Vessel
Designing Services



Product Designing Service

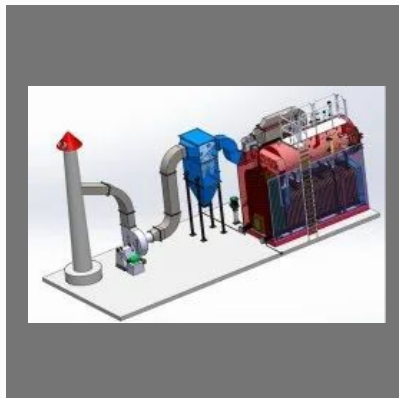


Automotive Designing Service

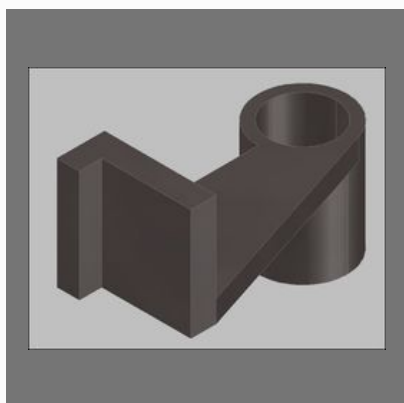
OTHER PRODUCTS:



Miniature Physical 3D Model For Display



3D Modeling Service



3D Mechanical Drafting Service



Food Waste Organic Composting Machine

OTHER PRODUCTS:



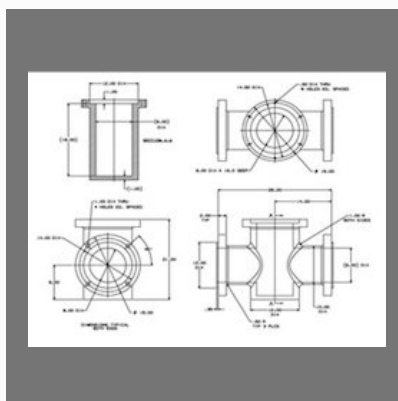
Plant Designing And Engineering Services



Animation



Design Calculations Of Spools As Per API Standard



2D Mechanical Drafting Service

Factsheet

Year of Establishment : 2016

Nature of Business : Exporter and Legal Advisor / Legal Help

Total Number of Employees : Upto 10 People



CONTACT US

Dsr Design & Engineering Solutions

Contact Person: Dsr Surendra Rapaka

P-8/8, Road No. 05, IDA, Nacharam Near CDC Tower
Hyderabad - 500076, Telangana, India



+91-8046077869



<https://www.indiamart.com/dsrdesign-engineeringsolutions/>