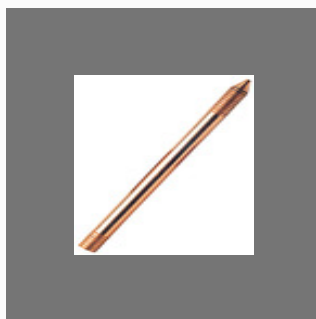


# Dux Electricals

<https://www.indiamart.com/duxelectricals/>

Manufacturer of copper bonded earth plate, light duty saddle etc.



## About Us

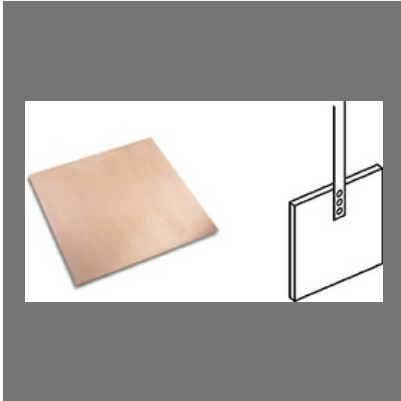
We have generated a strong reputation and goodwill with customers in various countries. Our company established in 1998 has built a reputation for product reliability and our constant commitment towards excellent services has made us a number one and famous corporation. Today we stand on the personification of success, being considered to be the most accomplished Manufacturer and Exporter of wide range of Earthing & Lightning Protection, Cable Glands & Lugs Accessories. While the company holds several ambitious plans for the future, for its product range and manufacturing abilities, our greatest objective will always remain to provide the highest level of services to our customers.

**For more information, please visit**

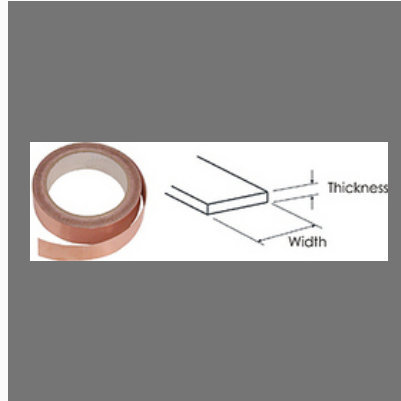
<https://www.indiamart.com/duxelectricals/aboutus.html>



# ELECTRONIC FITTINGS



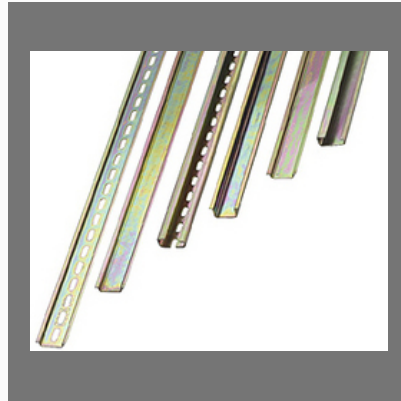
Solid Copper & Copper Bonded Earth Plate



Bare Copper Tape



Adaptor



Din Rails Channels

## MECHANICAL EQUIPMENTS



Aerial Elevation Rod



Galvanised Steel Flexible Conduit

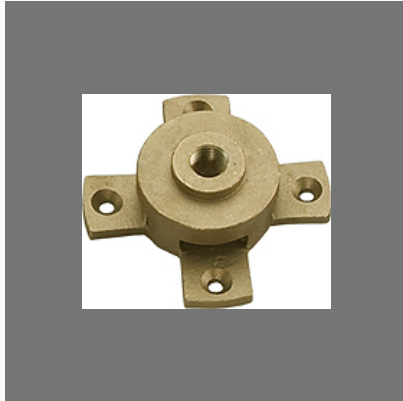


PVC Coated Galvanised Steel Flexible Conduit

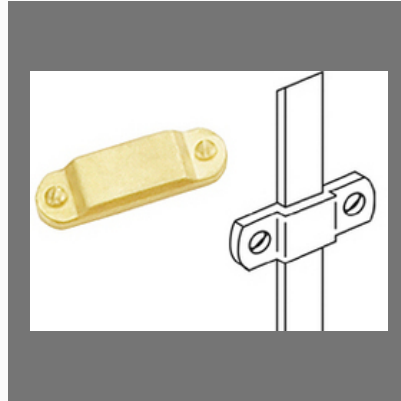


Driving Spike

# INDUSTRIAL SUPPLIES



Light Duty Saddle



Tape Clip

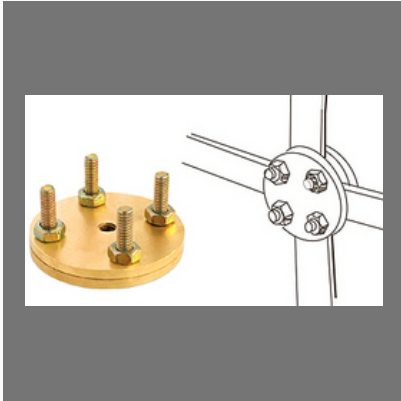


Brass Earth Tag

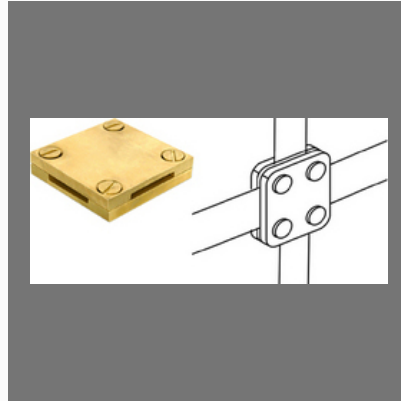


Earthing And Lightning Protection

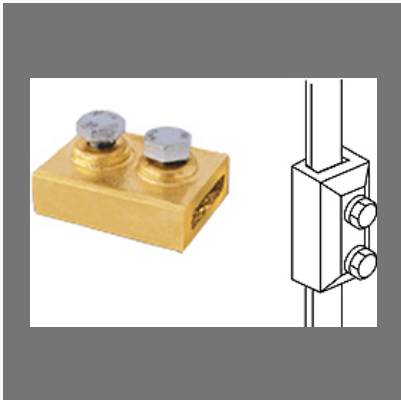
# CLAMPS



Flat Test Clamp



Square Tape Clamp



Oblong Test Clamp



Clamp

# CABLE GLANDS



CW Industrial Cable Glands



Industrial Cable Glands

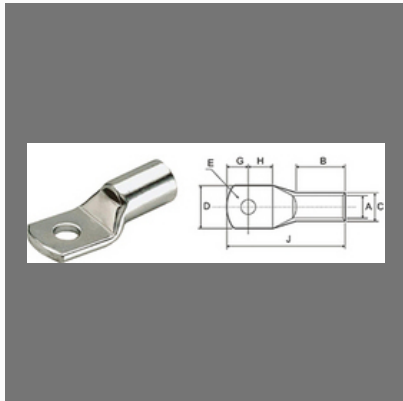


Industrial Cable Glands

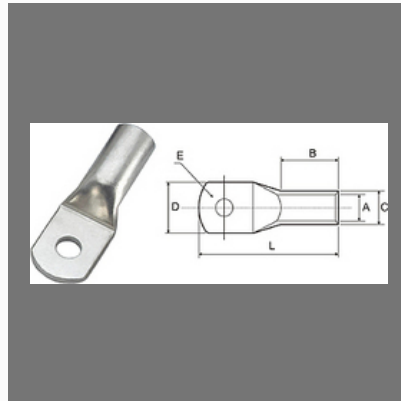


Industrial Cable Glands (Bw)

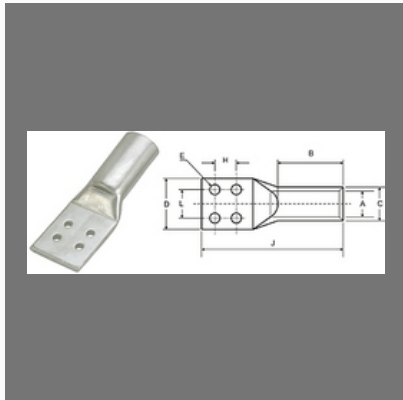
# CABLE LUGS



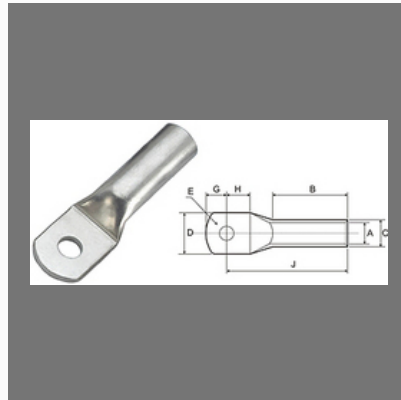
Compression Cable Lugs



Compression Cable Lugs



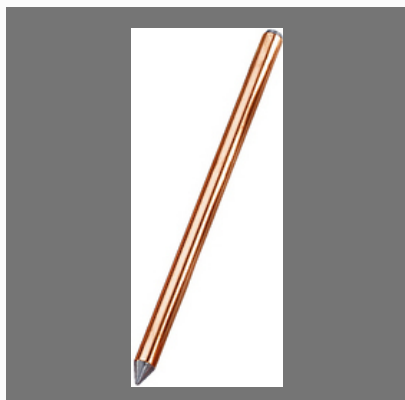
Compression Cable Lugs



Compression Cable Lugs



## OTHER PRODUCTS:



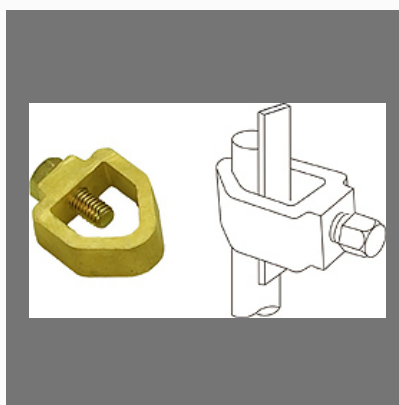
Mechanical Clad & Coated  
Copper Grounding Rod



Liquid Tight PVC Coated  
Galvanised Steel Flexible  
Conduit



Driving Head

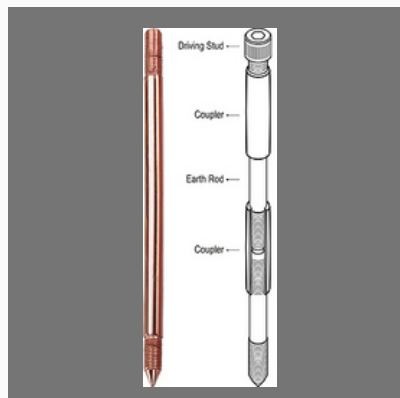


Tape Clamp

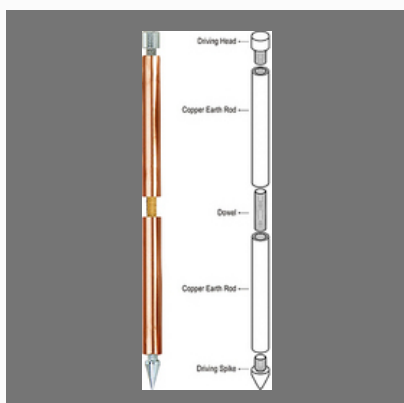
## OTHER PRODUCTS:



Industrial Cable Glands (Bw)



Copper Bonded Earth Rods



Pure Copper Earth Rods



Pregalvanised Switch Socket Boxes

# Factsheet

Year of Establishment : 1998

Nature of Business : Exporter



## CONTACT US

### **Dux Electricals**

Contact Person: Manager

Office No. 5, 1st Floor, Raghulila Building, 150 Ft., Bhayander West  
Thane - 401101, Maharashtra, India



<https://www.indiamart.com/duxelectricals/>