



+91-8446606485

# Fostexindia Pvt. Ltd.

<https://www.indiamart.com/fostexindia/>

We are a well-known supplier, exporter, distributor, wholesaler, trader and importer of Milling Machines and Accessories. These products are known for sturdy construction, low maintenance and easy installation.



## About Us

Since our establishment in the year **2013**, we, **Fostexindia Pvt. Ltd.**, have gained an eminent position as a supplier, exporter, distributor, wholesaler, trader and importer of Milling Machines and Accessories. Our offered range encompasses Milling Machine, Bed Type Milling Machine and Horizontal- Vertical- Universal Milling Machine. To grow towards path of victory, we ensure that quality is never compensated at any cost. Our offered products are widely reckoned in the national and international markets for their features such as rugged construction, longer service life, corrosion resistant nature and high strength. Owing to our quality-assured products, we have mustered huge client-base across the globe. We also provide installation services. We Export our products in **all over the world.**

Backed by a team of dexterous professionals, who hold vast industry experience, we are able to meet the exact demands of customers in efficient manner. These professionals are selected on the basis of their knowledge and expertise to ensure that every business operation is executed proficiently. Our team comprises technicians, quality controllers, procuring agents, marketing and sales agents and engineers. Moreover, we have constructed a spacious warehouse facility at our premises, which is segregated into different departments for hassle-free storage. Our warehouse is connected with various transportation facilities, which enables us to us to dispatch our range...

**For more information, please visit**

<https://www.indiamart.com/fostexindia/profile.html>



# TOOLING SYSTEM



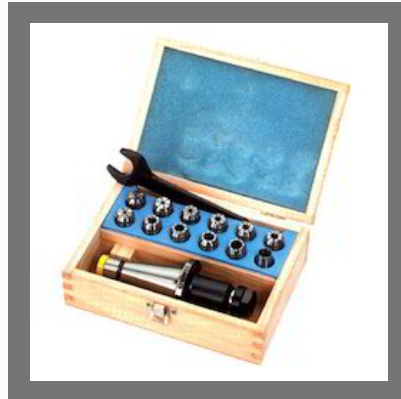
ER Spring Collet Chuck System



Tap Collects



Collet Chuck Kit with ISO Taper Shank ER-NT



Collet Chuck Kits

## GRINDING MACHINE ACCESSORIES



ER Collect Dividing Punch  
Grinder with Sine Plate



Punch Former



Mini Punch Grinder



Punch Grinder Standard

# MILLING MACHINE COMPONENTS



Pivot Clamp



Hand Drift



Drill Vise



Vee Blocks

# INDUSTRIAL GRINDING ACCESSORIES



Adjustment Sine Plate with  
Fine Pole Magnetic Chuck



Level Balancing Stand



Electrode Holders Holder  
Shank



Wheel Hanger

# MILLING MACHINE SPARE PARTS



Slotted Angle Plate



Precision Parallels



Coupling Nut



Horizontal Milling Attachment

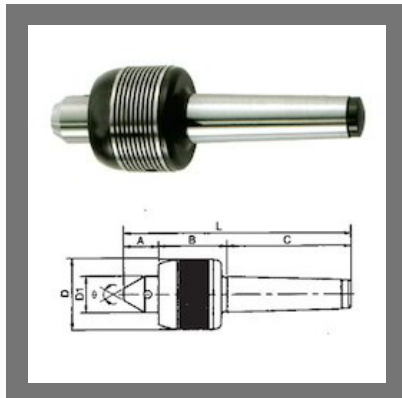
# LATHE MACHINE ACCESSORIES



High Speed NC Live Center  
NC



High-Load NC Live Center



High Speed NC  
Interchangeable Points Live  
Center



Bull Nose Center



# TOOLING PARTS



Deluxe type Tool Setting Stand



Tool Holder Locking Device



Perforated Tool Cabinets



Tool Holder Locking Fixtures

## MILLING MACHINE ACCESSORIES



Water Stopper



2-Way Angle Milling Vise



3-Way Angle Milling Vise



B-type Milling Vise

## OTHER PRODUCTS:



Mini type Straight Shank Holder



Punch Grinder with Motor type



Chamfering



Sine Plate

## OTHER PRODUCTS:



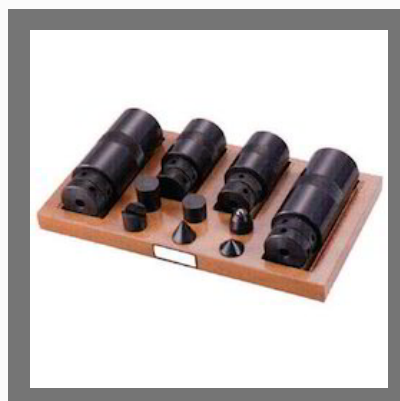
Air Power Drawbar



Work-Driving Center  
Changeable Tips



Economical Type Tool  
Presetter



Screw Jack Sets

# Factsheet

Year of Establishment : 2013

---

Nature of Business : Wholesaler

---

Total Number of Employees : 26 to 50 People

---



## CONTACT US

### **Fostexindia Pvt. Ltd.**

Contact Person: Sunil Dubey

Bhairavnath Industrial Estate, Gat No. 2/1, Plot No. 15 Near Choudhary Weighing Bridge,  
Dehu- Alandi Road, Chikhali  
Pune - 412114, Maharashtra, India



+91-8446606485



<https://www.indiamart.com/fostexindia/>