



+91-7942540131

Gani Marketing

<https://www.indiamart.com/gani-marketing/>

Established in 2018, **Gani Marketing** is one of the leading **Manufacturer , Wholesaler and Trader of Power Chuck, Hydraulic Cylinders etc.**



About Us

Established in **2018**, **Gani Marketing** is one of the leading **Manufacturer , Wholesaler and Trader** of **Power Chuck, Hydraulic Cylinders** etc.

For more information, please visit

<https://www.indiamart.com/gani-marketing/profile.html>



HYDRAULIC CYLINDERS



Hydraulic Link Clamps



Hydraulic Swing Clamp Cylinders



Bottom Mounting Swing Cylinder



P Type Swing Clamp Cylinder

POWER CHUCKS



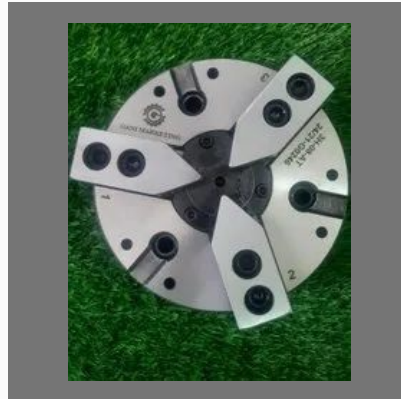
Pneumatic Rotary Chuck



Crank Type Synchronous Clamp



Swing Type 3 Jaw Power Chuck



Hydraulic Chuck

HYDRAULIC CLAMPING CYLINDERS



Vertical Swing Cylinders



Hydraulic Swing Clamp Cylinders



Vertical Swing Cylinders



Upper Flange Models Swing Cylinders

HYDRAULIC CYLINDER



Hydraulic Link Clamp Cylinder



Single Acting Hydraulic Cylinders



Double Acting Block Cylinders



High Pressure Hydraulic Cylinders

NEW ITEMS



Bottom Mounting Swing Cylinder



Link Calmp Cylinder



Link Clamps Cylinders



Sequence Valve

OTHER PRODUCTS:



Top Mount Swing Clamp Cylinder



Autogrip Thru Hole Power Chuck



Hydraulic Sequence Valve



Mini Hydraulic Cylinder

OTHER PRODUCTS:



Clasp Hydraulic Rotary Joint



Rotary Union And Joint



Compact Block Hydraulic Cylinder

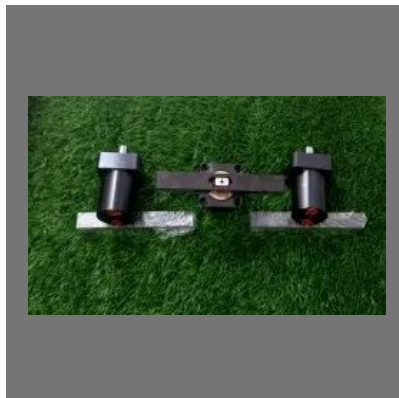


Compact Hydraulic Cylinder

OTHER PRODUCTS:



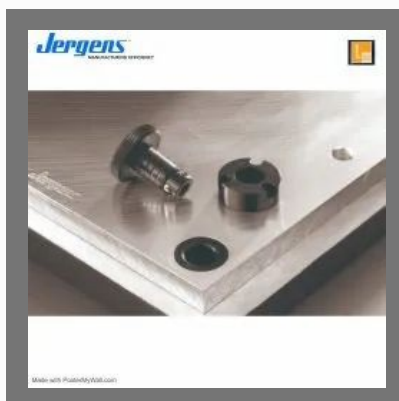
Swing Clamp Cylinder



Swing Clamp Hydraulic Cylinder



Hydraulic Clamping Device



Ball Lock System, For VMC

OTHER PRODUCTS:



Sensor Type Cylinder Block



5 Axis Self Centering Vise



Milling Vise



Ok Vise Wedge Clamp

OTHER PRODUCTS:



Work Support Thread Body



Flow control valve



Precision Milling Machine Vise



Pneumatic Cylinder

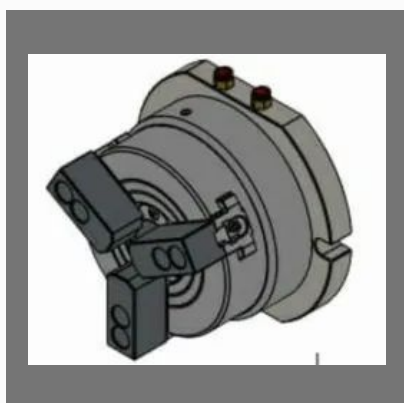
OTHER PRODUCTS:



Kosmek Hydraulics Cylinder



Hydraulic Cylinder Kosmek



Stationary Power Chuck



Pascal Clamping Cylinder

OTHER PRODUCTS:



Hydraulic Link Clamp Cylinder



Pressure Reducing Valve



Roemheld Clamp



Roemheld Clamp

Factsheet

Year of Establishment : 2017

Nature of Business : Exporter and Manufacturer

Total Number of Employees : Upto 10 People



CONTACT US

Gani Marketing

Contact Person: Sathish

4/192, Venkatesapuram, 5th Cross Street, Kottivakkam
Chennai - 600041, Tamil Nadu, India



+91-7942540131



<https://www.indiamart.com/gani-marketing/>