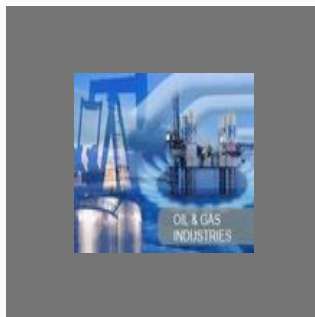




Greeva Software Solutions Private Limited

<https://www.indiamart.com/greeva-software/>

Greeva Software Solutions Private Limited is a leading global engineering service provider delivering business solutions to its clients. Engaged in offering engineering services, man power consultancy services, corporate training services etc.



About Us

GREEVA is a unique company that combines world class engineering expertise with new technology to deliver the most innovative solutions to serve our customer needs. Creative and Innovative, GREEVA provides design, analysis and manufacturing solutions to a wide range of customer in the automotive, aerospace, marine and consumer product industries. With a vision to extend Quality, Consistent Client Support, GREEVA has made an in-depth analytical study on feasibility and economy of making it accessible to all with quality on par with global Standards. GREEVA is equipped with requisite infrastructure to keep pace with ramming up of technologies from time to time. With constructive and concrete efforts, we have progressed gradually and will also progress with major expansions. GREEVA - CAD/CAM/CAE the name designs the study of Software and Design Excellence towards the Software Design Industry. We at GREEVA are dedicated in providing the customers the right form of design procedures for various needs of the ever-growing world. The design and the concepts offered by us are all the technology with excellence to make the designs more users friendly. GREEVA stresses on: Excellence in Design. Lower processing cost and lower losses From concept to commissioning we closely interact with our customers creating a synergy between the contemporary design and our own vast experience to provide best solutions in solving the needs of our customers. In addition to this, GREEVA offers...

For more information, please visit

<https://www.indiamart.com/greeva-software/aboutus.html>



OTHER SERVICES



GREEVA Stresses On
Excellence In Design



Interior & Exterior Designing

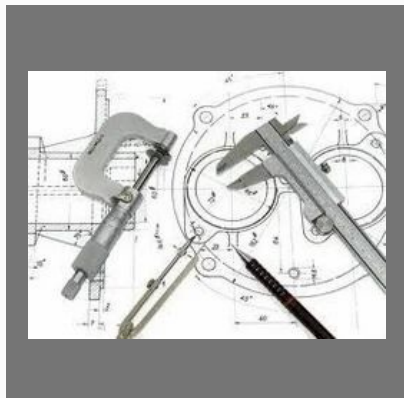


Appliances Design Services



Aerospace Design Services

OTHER SERVICES:



CAD CAM Services



Oil And Gas Industries Design Services



Manpower Service



Medical Equipments Design Services

Factsheet

Year of Establishment : 2005

Nature of Business : Service Provider

Total Number of Employees : 51 to 100 People



CONTACT US

Greeva Software Solutions Private Limited

Contact Person: A. Umasankar

No. 864, Poonamallee High Road E.V.R. Periyar Salai, Kilpauk
Chennai - 600010, Tamil Nadu, India



<https://www.indiamart.com/greeva-software/>