

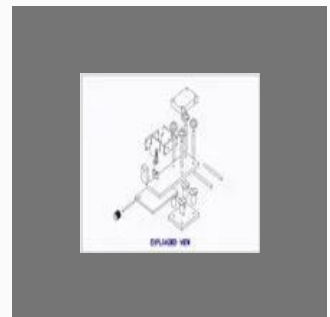


+91-8048361364

Gmtech Enterprises

<https://www.indiamart.com/jc-designworks/>

JC Design Services and 3D CAD Drawings of Product Design, Part design, Sheetmetal drafting and cost saving



About Us

JC Design Services and 3D CAD Drawings of Product Design, Part design, Sheetmetal drafting and cost saving

For more information, please visit

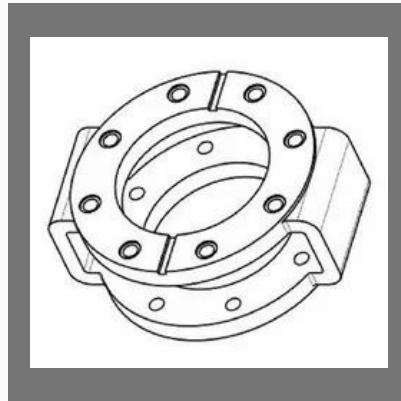
<https://www.indiamart.com/jc-designworks/aboutus.html>



OTHER SERVICES



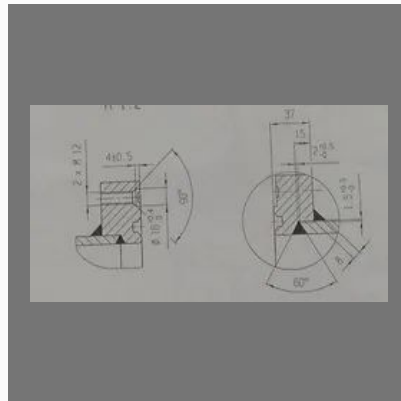
Excel Dashboard advanced modules



3d Designing Service



Mechanical Engineering Design Service



Machine Part Drawing Services

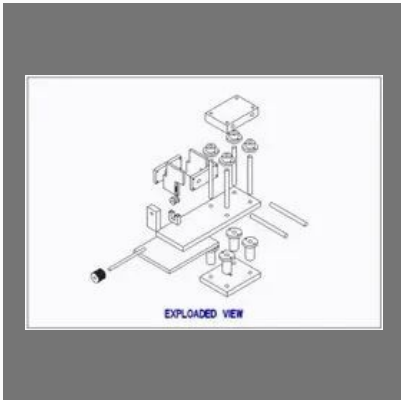
OTHER SERVICES:



Ms Excel Training Services



Business Card Design



Machine assembly Drawings

Factsheet

Year of Establishment : 2019

Nature of Business : Exporter and Service Provider

Total Number of Employees : Upto 10 People



CONTACT US

Gmtech Enterprises

Contact Person: Chandrakant J

N34 S2 22 01 01 CIDCO,
Nashik - 422009, Maharashtra, India



+91-8048361364



<https://www.indiamart.com/jc-designworks/>