

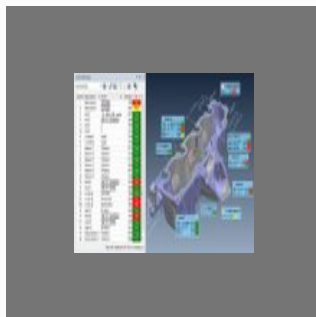


+91-8046084368

# Jet 3d Scan

<https://www.indiamart.com/jet-3d-scan/>

**Jet 3D Scan is among the remarkable Service Provider of 3D Scanning with varied methodology, CMM Inspection, Non Contact type Inspection, 3D Printing, Reverse Engineering , Product Development.**



## About Us

Established in the year **2015**, **Jet 3D Scan** is successfully ranked amongst the remarkable **Service Provider** of **CNC Programming Service,3D Printing Service** and much more. The provided range of products is designed and developed by our vendors talented professionals in line with latest trends of the market. Besides, we provide these products at economical rates.

Under the supervision of our mentor **Mr. Jayneel H Patel**, we have carved a reckoned position for ourselves in the industry.

**For more information, please visit**

<https://www.indiamart.com/jet-3d-scan/profile.html>



# 3D SCANNING SERVICES



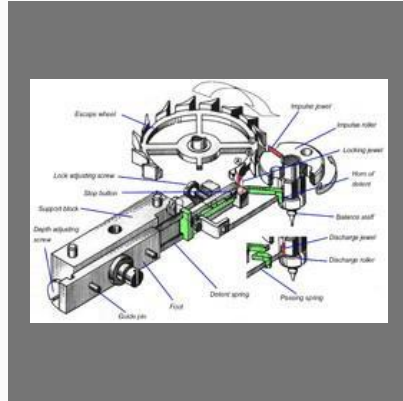
3D Digitalisation Services



Colour 3D Scanning



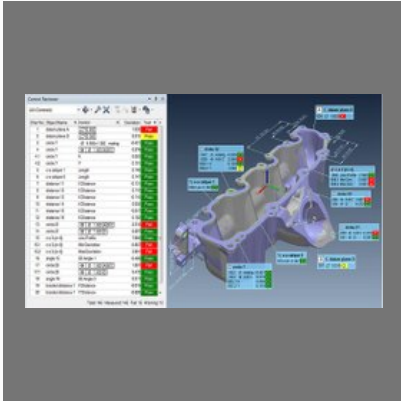
3D Scanning For Archaeological Site



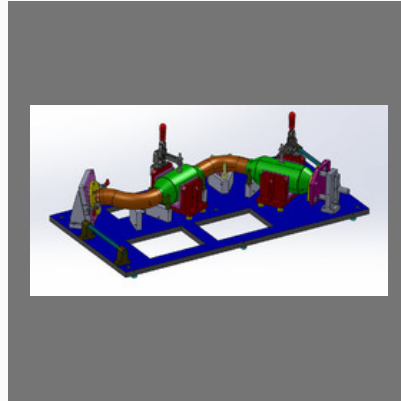
3D Scanning Of Complex Mechanism

# 3D INSPECTION SERVICE

Product Range



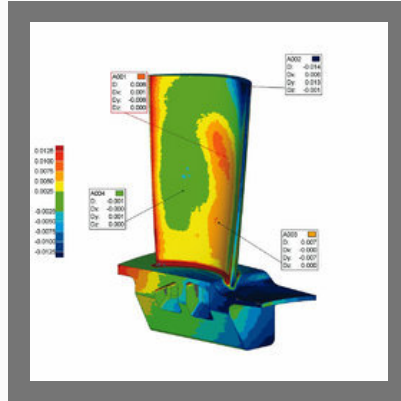
Part to CAD Inspection



Jig Fixture Inspection Services

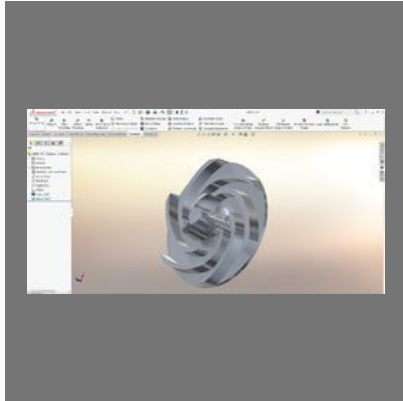


First Article Inspection Services

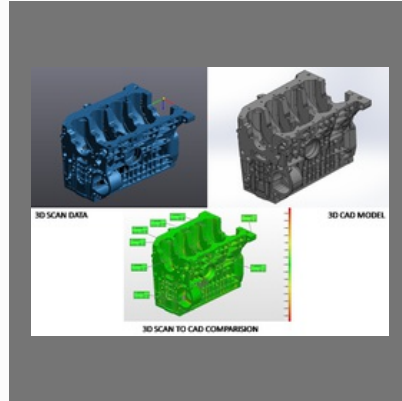


3D Scan to Part Inspection

# 3D CAD MODELING



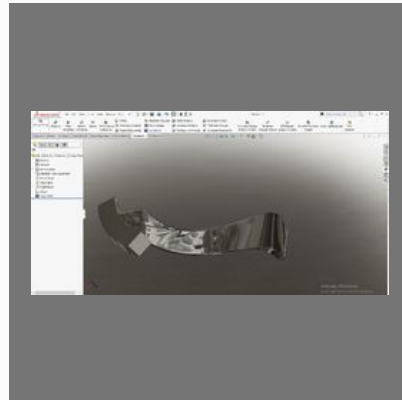
3D Design Services



3d Cad Design Services

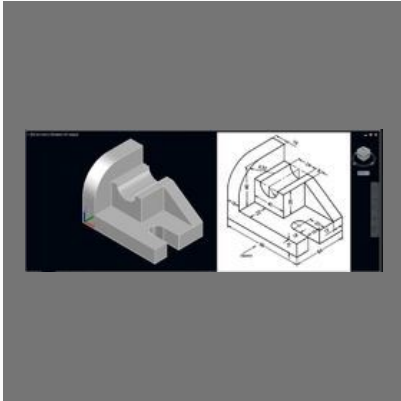


Machine Design Services



Class A Surfacing Services

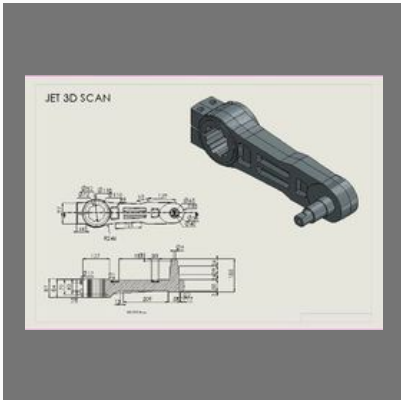
# 3D CAD MODELING SERVICES



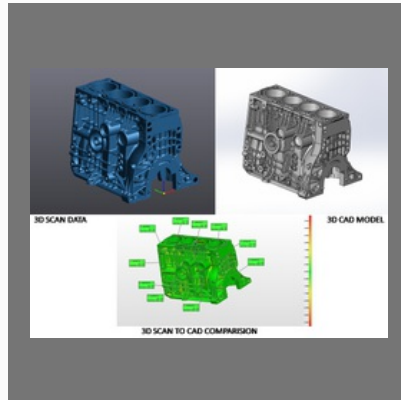
3D Designing Service



3D CAD Modeling

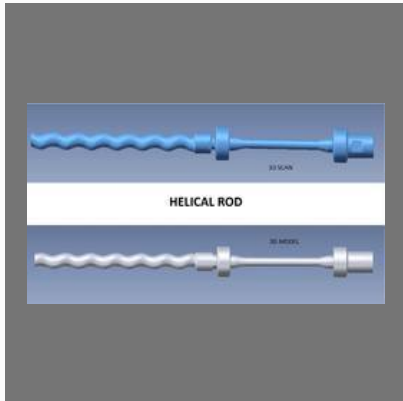


Cad Part Modelling Services

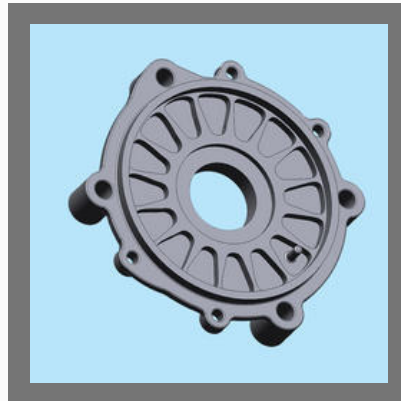


3D Modeling Design Services

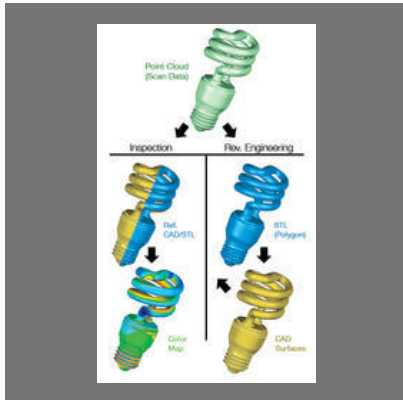
# REVERSE ENGINEERING SERVICES



Reverse Engineering Works

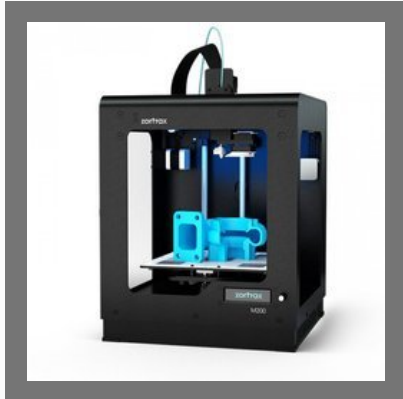


Reverse Engineering Services

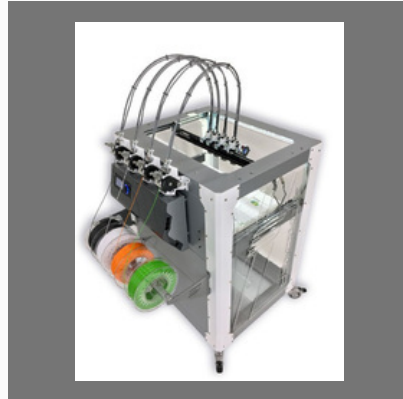


3D Scanning For Reverse Engineering

# 3D PRINTING SERVICE



3D Printing Service



3D Pattern Printing Services



3D Printing Service



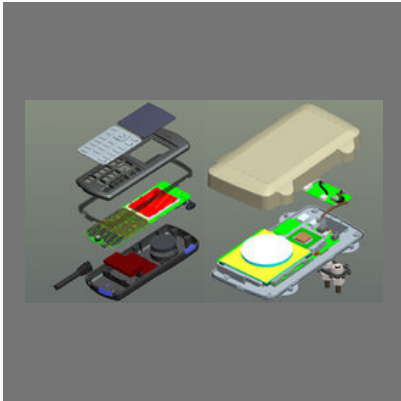
## OTHER SERVICES:



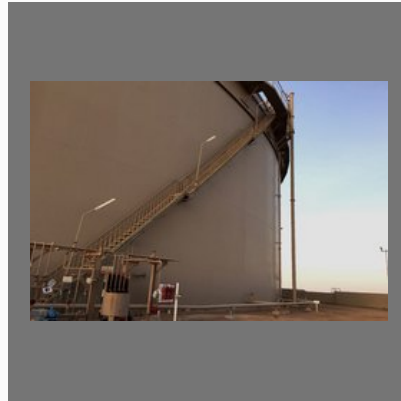
3d Surveying



Tank Volume Calibration Service



Design For Manufacturing Services

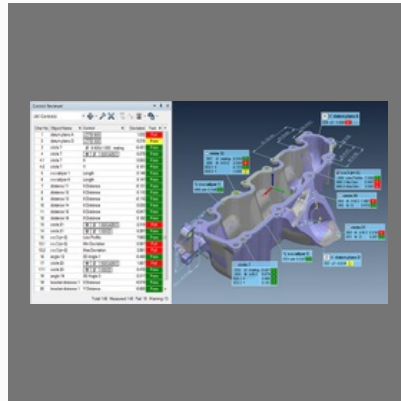


Tank Calibration Services

## OTHER SERVICES:



Vertical Storage Tank  
Calibration



GD & T Based Inspection



CMM Inspection Service

# Factsheet

Year of Establishment : 2015

---

Nature of Business : Service Provider

---

Total Number of Employees : Upto 10 People

---



## CONTACT US

### **Jet 3d Scan**

Contact Person: Jayneel H Patel

No. 23/A, Mrudul Park, Part No. 2, Sattadhar X Road Sola Road  
Ahmedabad - 380061, Gujarat, India



+91-8046084368



<https://www.indiamart.com/jet-3d-scan/>