



+91-8071676442

Ludhiana Engineering Works

<https://www.indiamart.com/ludhianaengineeringworks/>

We are the prominent Manufacturer, Exporter, Trader and Supplier of Roller Mill, Reel Machine, Intensive Dampner, etc. Our products are widely used and appreciated all over the nation for optimum quality, durability and longer service life.



About Us

Established in the year **1981**, at **Hapur (Uttar Pradesh, India)**, we, "**Ludhiana Engineering Works**", are renowned as a leading name engaged in **manufacturer, exporter, trader and supplier** a wide gamut of **Roller Mill, Reel Machine, Intensive Dampner, Vibro Separator, Conveyors System, De-Stoner & Gravity Selector, Roaster Machine, Paddy Cleaner, Industrial Plant Shifter, Drum Sieve & Cyclone, Centrifugal Machine, Intensive Scourer**, etc. Fabricated using quality tested raw material and latest technology. Our offered range is in compliance with the set industry standards. Further, these are developed under strict quality measures using cutting-edge technology. Bestowed with the features like sturdy construction, precision engineering, superior quality, excellent functionality, efficient output and high durability, our offered products have gained huge appreciation by clients. We offer these products to our precious clients at market leading prices. Our company is backed by sophisticated machines and well-advanced infrastructure that assists us to offer our clients technologically advanced range of offered products. As this unit is blessed with all essential machines and equipment, we are able to offer flawless range that stands incredible in terms of quality and durability. For the smooth function of organization, the installed machines are regularly updated and handled by a team of expert....

For more information, please visit

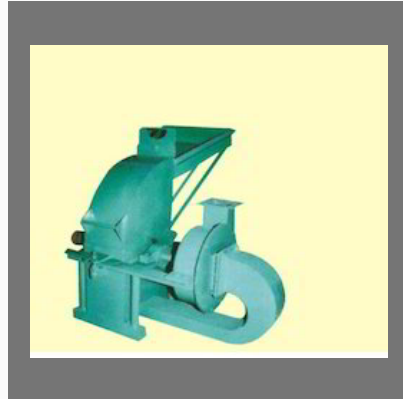
<https://www.indiamart.com/ludhianaengineeringworks/profile.html>



ROLLER FLOUR MILL



Roller Flour Mill



Hammer Mill



Electronic Roller Flour Mill



Roller Mill

RICE MILL MACHINE



Paddy Cleaner Machine



Pre Cleaner Machine

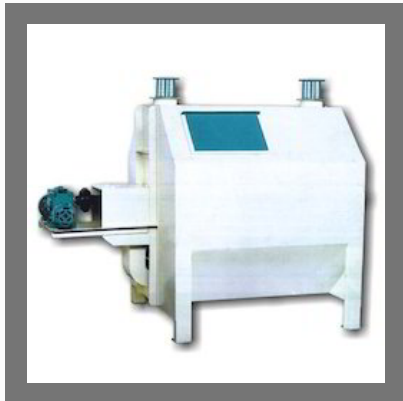


Paddy Separator Machine



Sliky Polisher Machine

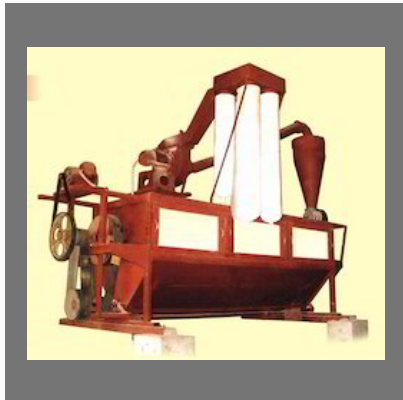
FLOUR MILL MACHINES & PLANT



Drum Sieve



Jet Filter

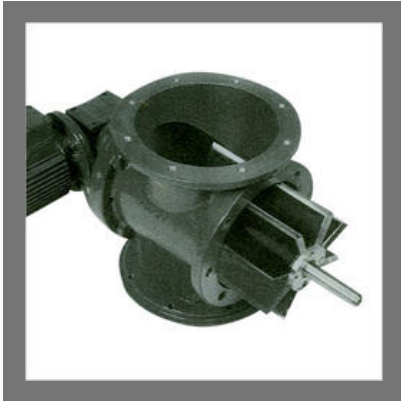


Centrifugal Machine



Spice Grinding Machine

BUCKET ELEVATOR



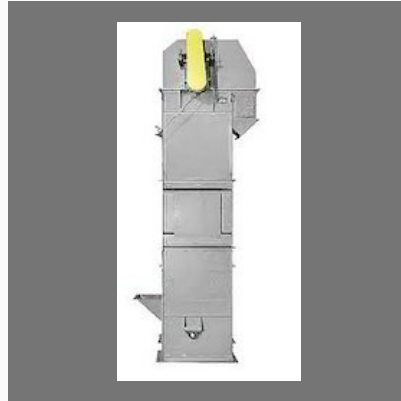
Air Lock



Bran Cutter

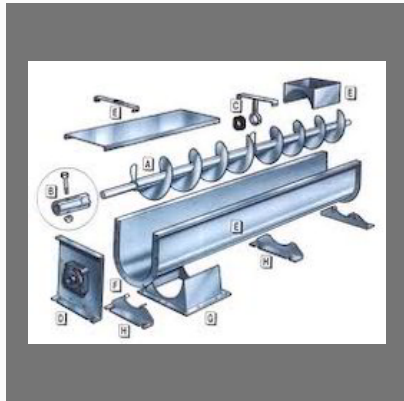


Bran Finisher



Bucket Elevator

CONVEYORS SYSTEM



Roller Conveyor System



Conveyor System



Worm Conveyor

FOOD PROCESSING MACHINE



Plan Shifter



Energy Efficient Food Processing Machine



Food Processing Machine



Vibro Purifier

OTHER PRODUCTS:



Mini Rice Polisher Machine



Maize Flour Milling Machine



Sieving Grading Straining Machine



Bucket Elevator

Factsheet

Year of Establishment : 1981

Nature of Business : Exporter

Total Number of Employees : 11 to 25 People



CONTACT US

Ludhiana Engineering Works

Contact Person: Bhupinder Singh

Tehsil Chopala Garh, Delhi Road, Near Suri Sweet
Hapur - 245101, Uttar Pradesh, India



+91-8071676442



<https://www.indiamart.com/ludhianaengineeringworks/>