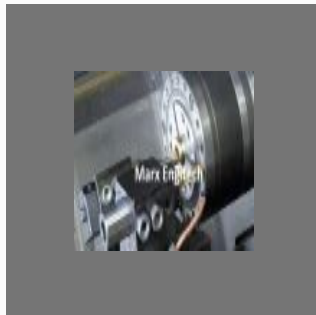
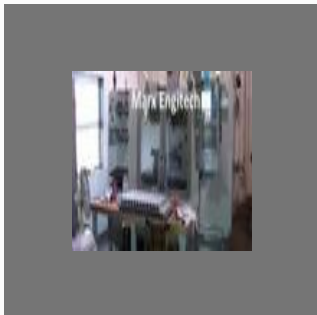


Marx Engitech

<https://www.indiamart.com/marx-engitech/>

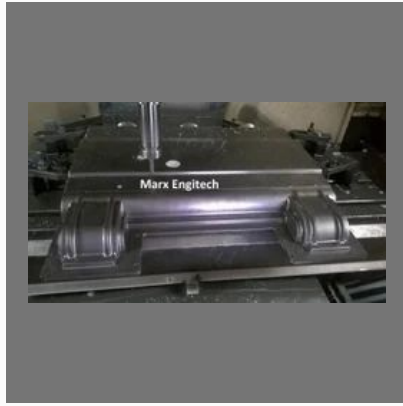


VMC JOB WORK

Products



VMC Rotary Table Job



VMC Machined Job

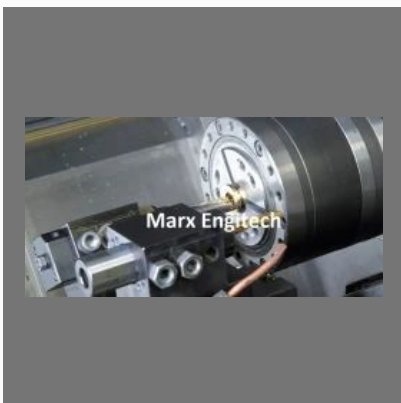


VMC Drilling Work



VMC Precision Job Work

CNC MACHINED COMPONENTS



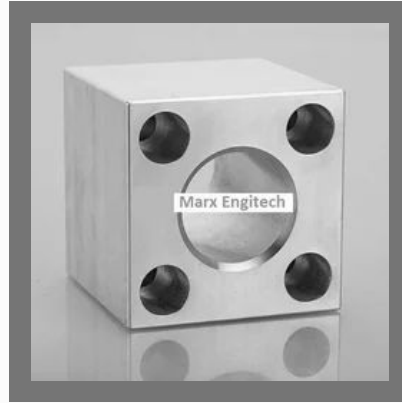
CNC Machining Part



VMC Machined Components



VMC Machining Components



VMC Machining Parts

PRECISION PARTS



VMC Precision Parts



Precision Machined Components





CNC Precision Parts



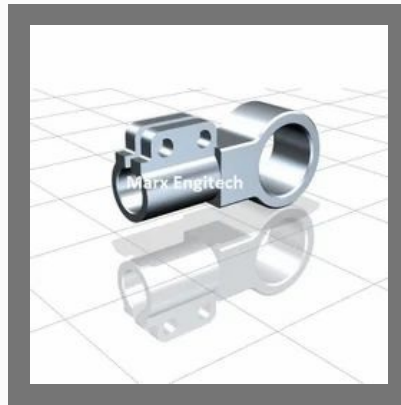
Precision Engineering Parts

MARX ENGITECH

Products & Services



Precision Brass Part
Machining



Machining Of Aluminum Parts



Machining Of Brass Parts



VMC Machining Work

Copyright © IndiaMART InterMESH Ltd.

MILLING JOB WORK



VMC Milling Work



5 Axis Milling Work



Machining of Flanges



OTHER PRODUCTS:



VMC Job Work



Fully CNC Machining Part



Precision Parts

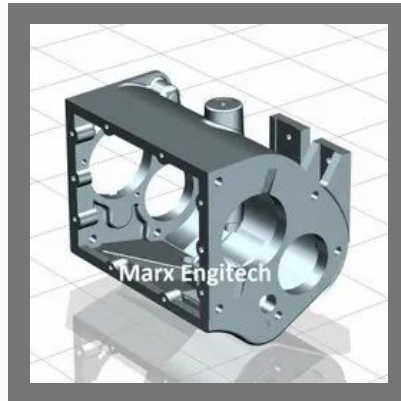


Heavy CNC Machining Work

OTHER PRODUCTS:



CNC Machine Job Work



Engine Parts



Machining Flanges

Factsheet

Year of Establishment : 2015

Nature of Business : Manufacturer

Total Number of Employees : Upto 10 People



CONTACT US

Marx Engitech

Contact Person: Henil Patel

Somnath Industrial Area, Street No. 2, Gondal National Highway
Rajkot - 360002, Gujarat, India



+91-8048372336



<https://www.indiamart.com/marx-engitech/>