



+91-8048017916

National Trading Corporation

<https://www.indiamart.com/nationaltradingcorporation/>

National Trading Corporation is a highly famous retailer and trader, engrossed in providing wide variety of **Threading Tap**, **Rotary Burrs** and **Carbide Inserts**.



About Us

Incepted in the year **1985**, **National Trading Corporation** is a prominent retailer and trader of comprehensive range of **Threading Tap, Carbide Inserts, Boring Bar, Rotary Burrs, Industrial Cutter, Straight Drills, Industrial Reamer, HSS Tool Bit, Machine Taps, Spiral HSS Threading Taps, Roll HSS Threading Taps, Hacksaw Blade and BT Adaptors**. Our accessible products are recognized in the market for easy uses, longer service life, temperature resistance, rust resistance and superlative quality. These products are developed underneath the guidelines of endowed professionals who have wealthy industry proficiency and knowledge. Our vendors manufacture these products utilizing the reliable input and urbane techniques.

These products are accessible in customized options and at realistic price. Also, team of dexterous professionals keeps a close harmonization with each other to deliver all the products within the certain time period. Quality experts also test these products on industry definite restrictions and make certain that only the best array is supplied to the patrons. Owing to our moral business practices and consistent business dealings, we have created enormous customer base across the realm.

Beneath the supervisory principle of our mentor **Mr. Aziz Bhanpurwala**, we have achieved an illustrious position in the market. Under his guidelines, our professionals work in a profound way and put limitless efforts to meet the provisions of the...

For more information, please visit

<https://www.indiamart.com/nationaltradingcorporation/profile.html>



CARBIDE INSERTS



Carbide Inserts



Threading Inserts



External Threading Inserts



Threading Inserts

DRILLING TOOLS



HSS Tap Set



SPPT Taps



HSS Taps



OSG Taps

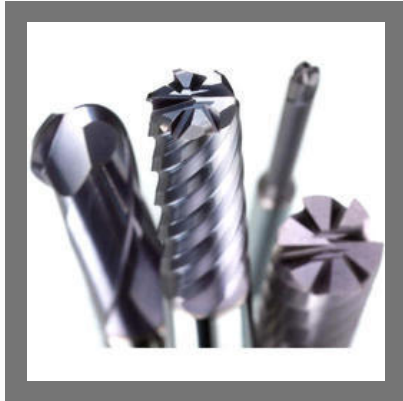
MILLING TOOLS



Boring Heads



OSG Ball Nose Endmills



Solid Carbide End Mills



Indexable Ball Nose Cutters

MILLING INSERTS



Chamfer Milling Insert



Milling Insert



Seco Milling Insert



Milling Inserts

CARBIDE INSERTS



Sandvik Carbide Insert



Widia Carbide Inserts



Sandvik Carbide Inserts



Turning Carbide Insert

H.S.S. HAND TAP SET



HSS Threading Tap



HSS Threading



HSS Dies Tap Set



Left Handed Threading Tap

MILLING CUTTERS



End Milling Cutters



Indexable Milling Cutters



Shoulder Milling Cutters



Milling Cutters

H.S.S. CUTTING TOOLS



Carbide Rotary Burr



HSS Taps



Milling Adapters Arbors



HSS End Mills & Car

INSERTS



ZCC Inserts



Hitachi Inserts



Mitsubishi Inserts



Walter Insert

GROOVING AND PARTING TOOLS



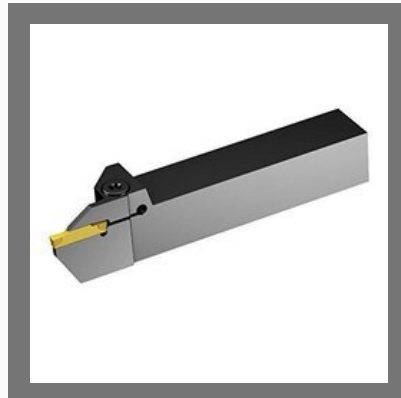
Solid Carbide Rotary Burrs



Hand Taps

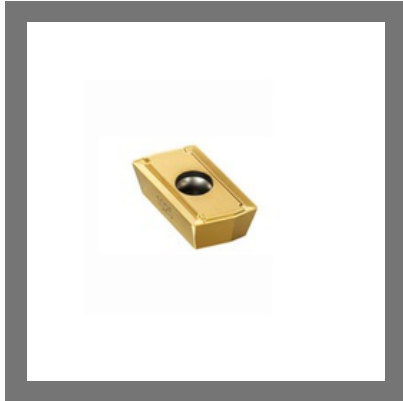


Heavy Machining Tools



External Parting Holders

DRILLING INSERTS



Short Hole Drilling Insert



Deep Short Hole Drilling Insert



YG-1 Drilling Inserts



U Drill Inserts

MILLING INSERT



Metal Turning Insert



Turning Inserts VNMG



Turning Inserts CNMG



Brass Shims

RING AND PLUG GAUGES



Plain Ring Gauges



Plug Gauges



Thread Gauges



Thread Ring Gauges

STRAIGHT DRILLS



Core Drill



Taper Shank Extra Long Drill



Taper Shank Drill



HSS Centre Drill

BORING BAR



Echain Holders



Boring Bar



Counter Bore



Boring Bar

TURNING HOLDERS



Turning Tools



Boring Bars ID Turning Tools



External Turning Holders

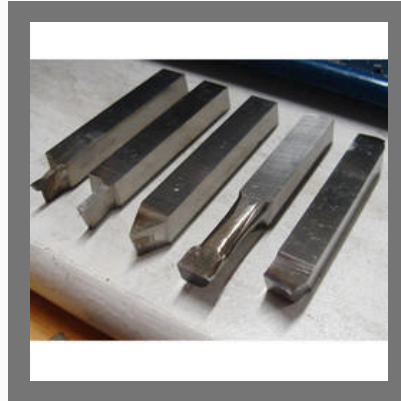


External Turning Holders

H.S.S.AND TCT TOOL CUTTERS



Carbide Tipped Drills



Parting Tool Bits

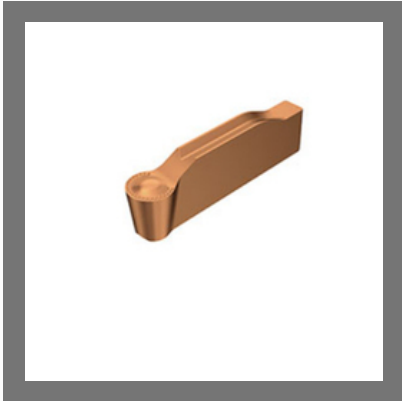


HSS Tools Bits



HSS Square Tool Bits

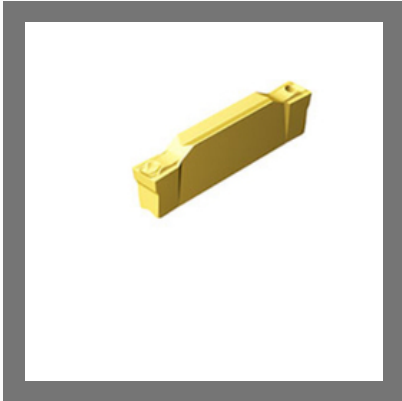
GROOVING INSERT



Grooving Insert



Parting Grooving Insert



Parting Grooving Insert

HSS TOOL BIT



Tool Holder



H.S.S Round Tool Bits



HSS Square Tool Bits

OTHER PRODUCTS:



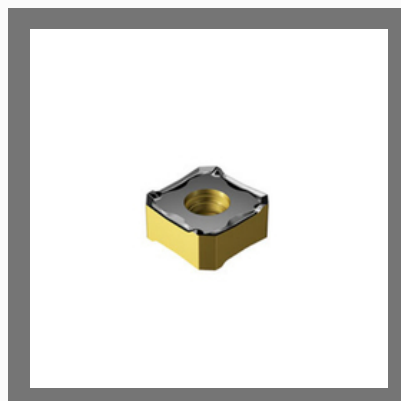
Internal Threading Inserts



Machine Taps



Slitting Cutters



Milling Insert

OTHER PRODUCTS:



Taegutec Carbide Insert



High Speed Threading Tap



High Performance Milling Cutter



Wood Ruff Key Cutters

Factsheet

Year of Establishment : 1985

Nature of Business : Exporter and Wholesaler

Total Number of Employees : Upto 10 People



CONTACT US

National Trading Corporation

Contact Person: Aziz Husain

106, Narayan Dhuru Street, Ground Floor, Shop No. 16
Mumbai - 400003, Maharashtra, India



+91-8048017916



<https://www.indiamart.com/nationaltradingcorporation/>