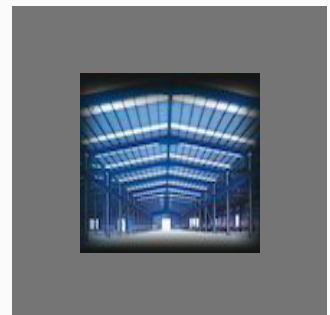


Pragathi Engineering Construction

<https://www.indiamart.com/pragathiengineer/>

We are one of the promising manufacturer, supplier and wholesaler of a wide assortment of doors & windows. Owing to high quality, our range is widely used in offices, airports, shopping complexes & other architectural buildings.



About Us

Established in the year **1989**, we, "**Pragathi Engineering Construction**", are counted amongst the prominent manufacturers, suppliers and wholesalers of an array of Doors & Windows. Being a renowned service provider, we have indulged ourselves in providing valuable solutions in the field of Steel Aluminum Fabrication. In our state-of-the-art infrastructure, we have installed superior machining and designing facilities, which help us in meeting the growing requirements of offices, airports, shopping complexes & other architectural buildings in an effective manner. Our efficient professionals hold excellent knowledge about the intricacies of varied industries that have further enabled us in undertaking various projects like HF tower for Air Force station Yelahanka Bangalore, jacketed piping for hot mix plant at Hiriyyur and piping for effluent treatment plant for Sobha Developers Ltd. Owing to our quality approach and effective dealership network, we have been able to cater to the varied needs of some of our esteemed clients, which include **Vinyasa Engineers Ltd., Frontline Electricals, V.A Tech India Ltd., Karle Garment Exports Ltd., Ion Exchange India Ltd, Consolidated Construction Consortium Ltd and Lanco India Ltd.** We are operating under the able guidance of our mentor, '**Mr. N. Dinesh**', who holds wide industry knowledge and experience in this domain. He has been a source of inspiration in every sphere of...

For more information, please visit

<https://www.indiamart.com/pragathiengineer/profile.html>



STEEL & ALUMINIUM FABRICATION



Street Light Poles



Wind Mill Masts



Aluminum False Ceiling

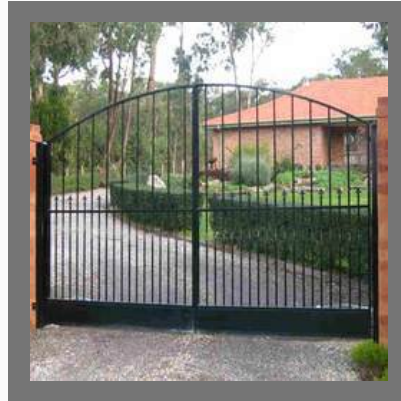


Boom Barriers

GATES & SHUTTERS



Sliding Gates



Swing Gates



Automatic Sliding Glass Doors



Top Rolling Multipanel Garage Doors

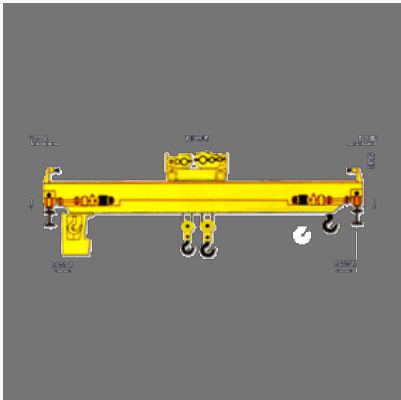
STRUCTURAL FABRICATION



Pre-Engineered Buildings



Cage And Cargo Hoists

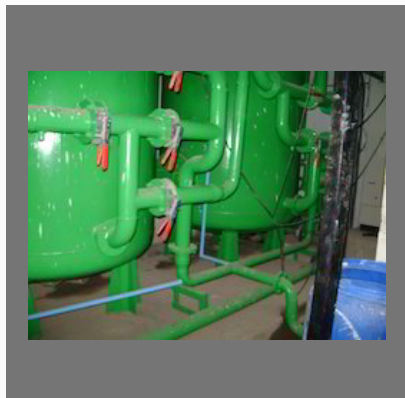


E.O.T Cranes

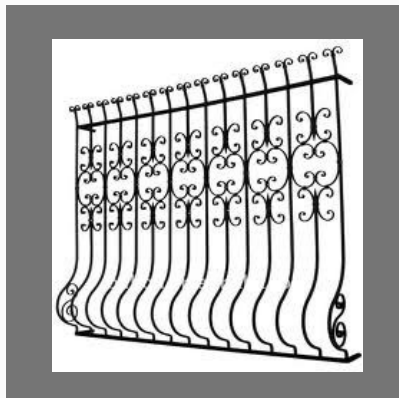


Push Cart For Garbage Handling

OTHER PRODUCTS:



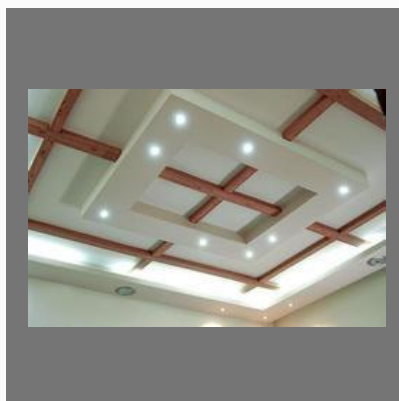
Pipings System



Iron Grills



OCTOGONAL GI Pole



False Ceiling Services

OTHER PRODUCTS:



Colour Coated Roofing Sheet



GRATINGS



Electrical And
Telecommunication Towers

Factsheet

Year of Establishment : 1990

Nature of Business : Manufacturer

Total Number of Employees : Upto 10 People



CONTACT US

Pragathi Engineering Construction

Contact Person: N. Dinesh

No. 86, Sri Bhyraweshwara Industrial Estate, Andrahalli Main Road, Hegganahalli
Bengaluru - 560091, Karnataka, India



+91-8048603157



<https://www.indiamart.com/pragathiengineer/>