

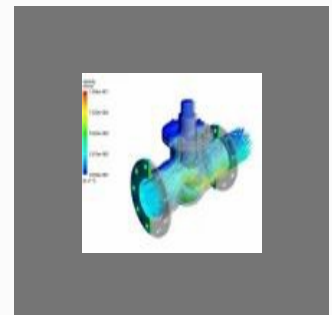


+91-8048975507

# Rheomold Engineering Solutions LLP

<https://www.indiamart.com/rheomoldengineeringsolutions/>

Rheomold Engineering Solutions LLP is a reliable **Service Provider** that is involved in providing **Analysis Service, Design Service, Meshing Service**, etc.



## About Us

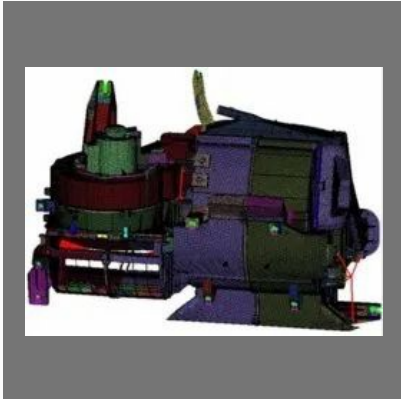
**Rheomold Engineering Solutions LLP** is a reliable **Service Provider** that is involved in providing **Analysis Service, Design Service, Meshing Service**, etc. Rheomold founded in Year **2010** is a leading **Engineering Service Provider** in Computer Aided Design-CAD, Computer Aided Engineering-CAE (Structural, NHV & Thermal Analysis) and Computational fluid dynamics-CFD, Tool Design & Development (Plastics , Sheet Metal & Die Casting) , Manufacturing Simulation (Moldflow, Forming & Casting) all under one roof. In simple terms Rheomold can support customers from 'Design' to 'Manufacturing'. We have exceptionally high expertise in providing efficient yet cost-effective solutions to our customers. Rheomold has always been the part for providing Cutting-edge, Innovative Solutions , Setting up a competitive benchmark among all the Service Industries. We are committed to deliver solutions with excellent Quality and at an earlier-time frame. Rheomold is a product-based service provider Company Headquartered in Pune, India. Founded with an intention to provide cost effective and world class engineering solutions. At Rheomold, we provide potential services in the fields of CAD/CAE/CFD for varied sectors of industry like Automotive, Consumer, Heavy/Industrial Engineering & Aerospace. We have a determined, enthusiastic and highly skilled team of engineers, with enriched knowledge in respective domains with a unique blend of creativity and...

**For more information, please visit**

<https://www.indiamart.com/rheomoldengineeringsolutions/profile.html>



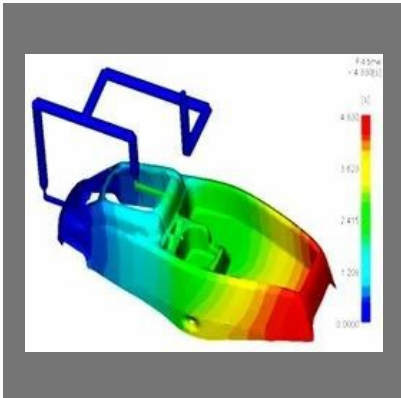
# ANALYSIS SERVICE



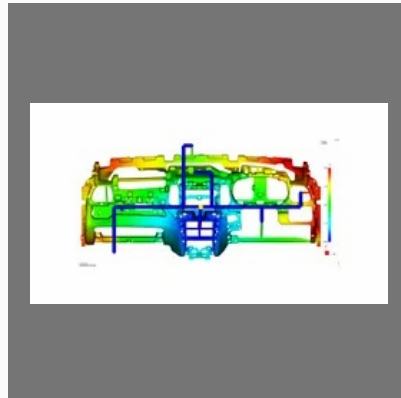
NVH Analysis Service



Casting Analysis Service



Moldflow Analysis Service



Flow Analysis Service

# DESIGN SERVICE



Fixture Design And Development Service



Plastic Tool Design Service

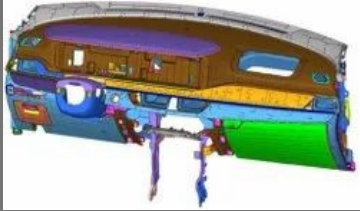


Conveyor Design Service

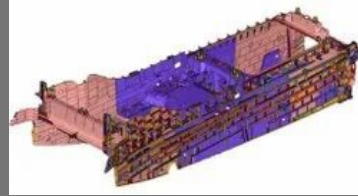


3D Plastic Mould Design Services

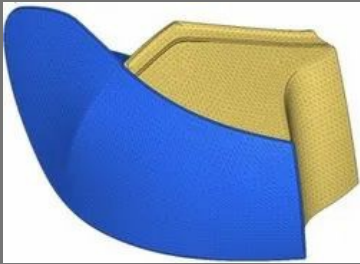
# MESHING SERVICE



CAE Meshing Service

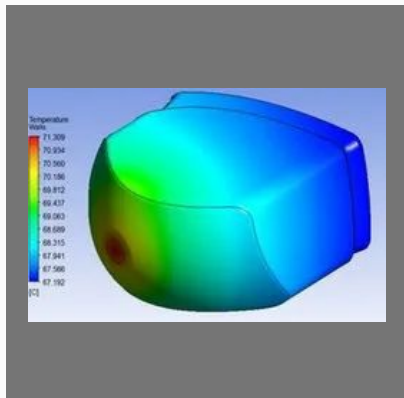


Moldflow Meshing Service

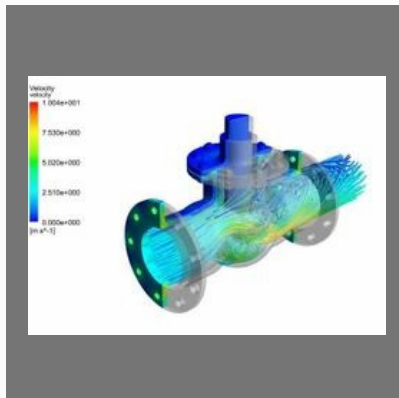


Thermal Meshing Service

# OTHER SERVICES:



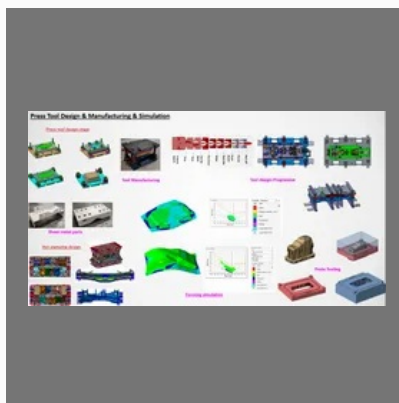
Thermal Analysis Service



Cfd Simulation Services



Jig And Fixture Design Services

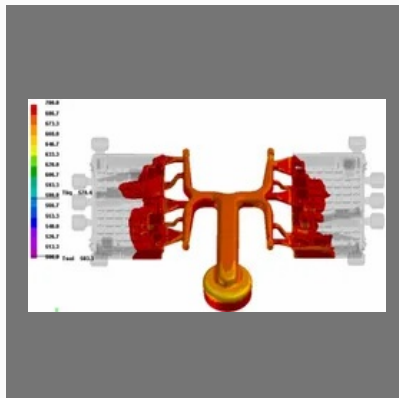


Sheet Metal Tool Design Service

## OTHER SERVICES:



Automotive Interior And Exterior Designing Services



Casting Simulation Services Solutions



Moldflow



Powertrain System Services

# Factsheet

Year of Establishment : 2010

---

Nature of Business : Exporter and Service Provider

---

Total Number of Employees : 101 to 500 People

---





## CONTACT US

### **Rheomold Engineering Solutions LLP**

Contact Person: Krishna Moorthy

No. 313/314, City Square, Off. K. B. Joshi Road

Pune - 411005, Maharashtra, India



+91-8048975507



<https://www.indiamart.com/rheomoldengineeringsolutions/>