

+91-8046029369

# Shree Udyog

<https://www.indiamart.com/shreeudyog/>

Being the leaders in the market, we are engaged manufacturing and supplying the finest quality Centrifugal Blowers, Axial Flow Fans and Cyclone Dust Collector. These products are known for their sturdiness, long service life, elevated durability, etc.



## About Us

Established in the year **1969**, we “**Shree Udyog**” are well acknowledged **manufacturer** and **supplier** of a vast range of **Centrifugal Blowers, Axial Flow Fans, Hopper Auto Loader, Air Handling Unit, Industrial Products and Cyclone Dust Collector**. These products are manufactured by the team of highly skilled professionals using the quality assured components and sophisticated technology at our well equipped production unit in compliance with set market quality norms. The products offered by us are highly acknowledged for their qualitative features such as sturdy construction, long functional life, rugged construction, corrosion resistance, easy installation, high functionality, trouble free operation, hassle-free performance, etc. Our offered range is made available in various sizes, dimensions and other technical specifications for our prestigious clients to choose from. Apart from this, we provide these products to our precious clients at pocket friendly prices within their budgetary constraints. Owing to the remarkable quality of offered products and client centric approach, our annual turnover is around Rs 1-2 crore. We also have recruited a team of quality experts, who check the provided products on various quality parameters in order to meet the expectations of our esteemed clients. With the support of our well-equipped infrastructural facility that is located at **Mumbai (Maharashtra, India)**, we are...

**For more information, please visit**

<https://www.indiamart.com/shreeudyog/profile.html>



# INDUSTRIAL PRODUCTS



High Volume Blowers



Medium Pressure Blowers



Fume Extraction System



Heating Equipment

# CENTRIFUGAL BLOWERS



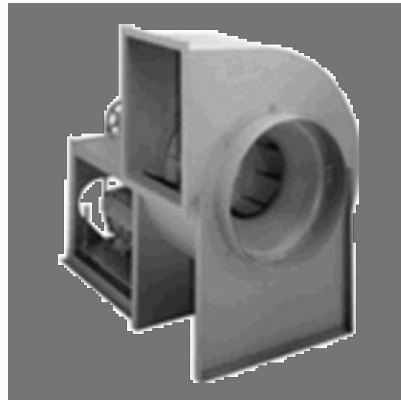
High Pressure Blower



Medium Pressure Blower



Single Stage Blower



Low Pressure Blower

# CYCLONE DUST COLLECTOR



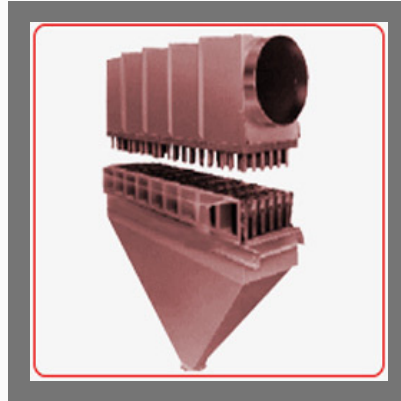
Cyclones Dust Collector



Saw Dust Collection Systems



Cyclonic Dust Collection System



Multi Cyclone Dust Collector

# REGENERATIVE BLOWERS



Turbine Blower



Side Channel Blowers



Double Stage Turbine Blower

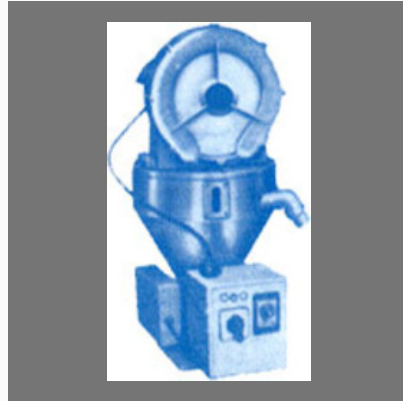


Regenerative Blowers

# HOPPER AUTOLOADER



Fresh Air Blower



Hopper Autoloader



Ventilation Blower



Direct Drive Blowers

# AXIAL FLOW FANS



Axial Flow Fan



Tube Axial Fans



SISW Fan



Forced Draught Fan



# ROOTS 3 - LOBE BLOWERS



Lobe Blowers



Roots Blowers

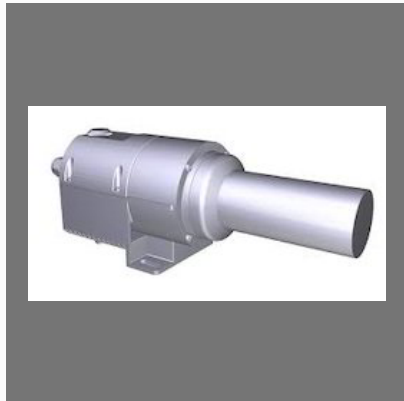


Electric Blowers

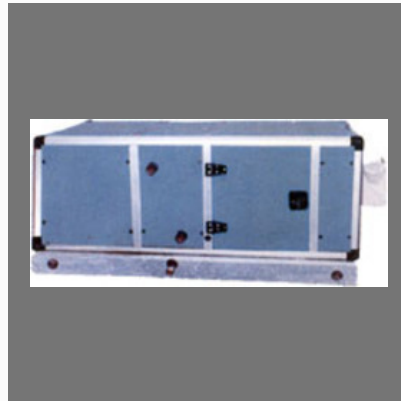


FRP Blowers

# AIR HANDLING UNIT



Hot Air Blower



Air Holding Unit



Cooling Blowers



Rotary Air Compressor

## OTHER PRODUCTS:



Radial Blower



Portable Blower



Vacuum Blowers



Indirect Drive Blowers

# Factsheet

Year of Establishment : 1969

---

Nature of Business : Manufacturer

---

Total Number of Employees : Upto 10 People

---



## CONTACT US

### **Shree Udyog**

Contact Person: B.R. Yadav

Navjivan Industrial Estate, Swami Vivekanand Road, Oshiwara  
Mumbai - 400102, Maharashtra, India



+91-8046029369



<https://www.indiamart.com/shreeudyog/>