



+91-8048719396

Shriram Gearboxes Private Limited

<https://www.indiamart.com/shriramgearboxes-mumbai/>

We are the chief manufacturer, exporter, supplier, wholesaler and trader of a qualitative collection of **Gear Accessories, Pulley Systems, Worm and Worm wheels, Worm Reduction Gear Boxes, Hydraulic Valves etc.**



About Us

Since its foundation in the year **1995 Shriram Gearboxes Pvt. Ltd.**, deals in manufacturing, exporting, supplying, wholesaling and trading of **Gear Accessories, Pulley Systems, Worm and Worm wheels, Worm Reduction Gear Boxes, Hydraulic Valves, Hydraulic Fittings, SS and MS Mandrels, SS Sprockets, SS Flanges**. The broad range of product developed by us is mainly appreciated for its durability and quality. We have built up a high-tech infrastructural unit that has functional base such as manufacturing unit, quality testing, procurement, research and development, packaging and warehousing. All these departments work in close synchronization with one another to achieve the specific necessities of customers within the specified time. Our production plants are installed with the required equipments, tools and machines that allow us to produce qualitative collection of production. Besides, we have a group of highly skilled professionals whom we selected on the basis of their industry's knowledge and experience. Also, we arrange important training seminars for our members so as to enhance their knowledge and skill. Moreover, our packaging workers supply the ordered products to the customers in brilliant quality packaging stuff without affecting its quality.

For more information, please visit

<https://www.indiamart.com/shriramgearboxes-mumbai/profile.html>



PIPE FITTINGS



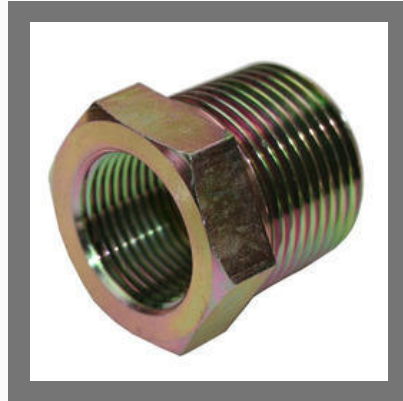
Elbow Female



45 Degree Elbow Female



45 Degree Elbow Street



Adaptor / BSPT x NPT

FITTING LOCATOR I



Male Elbow



Male Connector

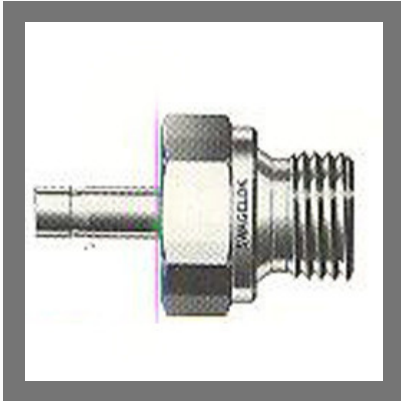


Positionalbe Male Elbow



Male Connector

FITTING LOCATOR II



Male Adaptor



Female Adaptor



Male Adaptor



Vent Connector

PIPE FITTINGS 2



Reducing Bushing / NPT x
NPT



Reducing Bushing / NPT x
NPT

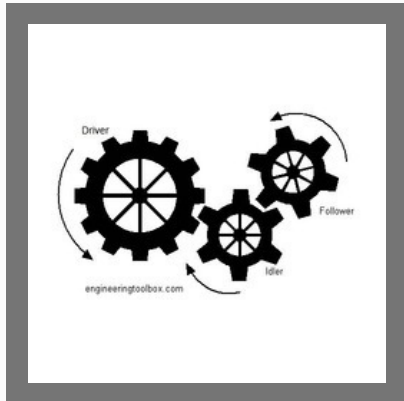


Pipe Tees

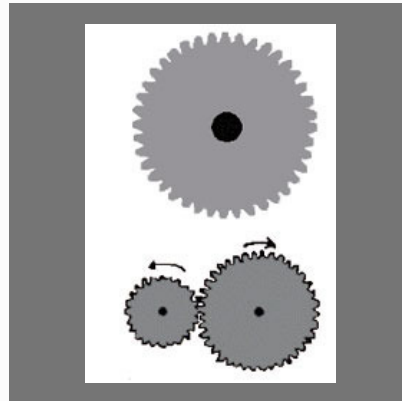


Branch Pipe Tees

GEAR ACCESSORIES



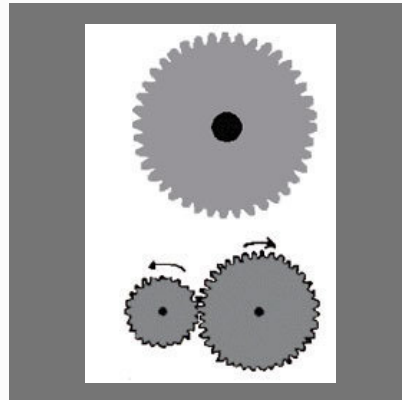
Gear Train



Single Gear



Spur Gear



Internal Gear

HYDRAULIC FITTINGS



S.S. Fitting



Swivel Fitting



Brass Fitting



Stopper Cap

FITTING LOCATOR



Long Male Connector



Male Connector



Male Elbow Connector



Bulkhead Male Connector

SS AND MS MANDRELS



M.S. Mandrel



High Speed Mandrel



Mandrel and Clappers
Assembly



M.S. Screw

OTHER PRODUCTS:



Adaptor / NPT x NPT



Positionable Male Run Tee

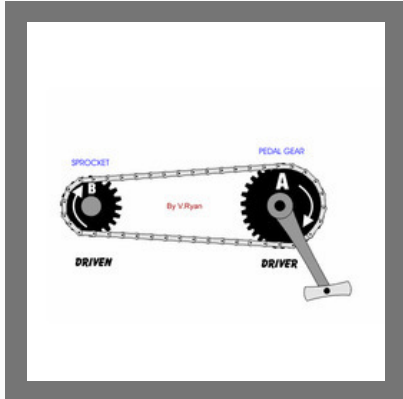


Male Adaptor



Male Tee

OTHER PRODUCTS:



Gear Wheels and Chain



S.S. Fitting T Connector



45 Degree Male Connector

Factsheet

Year of Establishment : 1999

Nature of Business : Manufacturer

Total Number of Employees : 11 to 25 People



CONTACT US

Shriram Gearboxes Private Limited

Contact Person: Balan Subbiah

No. 4, Sidhpura Industrial Estate, S. V. Road Goregaon West
Mumbai - 400062, Maharashtra, India



+91-8048719396



<https://www.indiamart.com/shriramgearboxes-mumbai/>