



+91-8048022573

Survey Technologies Private Limited

<https://www.indiamart.com/surveytechnologies/>

Survey Technologies Pvt. Ltd. is a well-known **Wholesale Trader, Distributor** and **Service Provider** of wide range of **Electronic Products** to the clients.



About Us

We, **Survey Technologies Pvt. Ltd.** are a prominent **Wholesale Trader, Distributor** and **Service Provider** of extensive assortment of **Electronic Products**. We are indulged in offering a wide array of **Surveying Instrument Accessories, Laser Distance Meter, Leveling Instruments, Surveying Services** etc. Our experts procure these products from reliable and proficient vendors of the market. Offered products are manufactured by our sellers employing superior quality components under the support of team of expert professionals. In order to provide the specific demands of our clientele, we present these quality products in diverse technical stipulations. These products are widely commended by our clientele for exceptional functionality, easy to use, smooth finish, elegant design and longer service life. We have enabled competent professionals who work in close coordination with patrons to accomplish the wide demands in timely and capable manner. Highly dedicated and knowledgeable, they are selected on the basis of their experienced and understanding, and effort hard round the clock for the enlargement of our company. With the help of our skilled professionals, we have made a strong base of vendors that is elected after huge market research. On the basis of consistency, promised delivery time, quality and huge industry experience, we are connected with reliable vendors, who promise us that products provided by...

For more information, please visit

<https://www.indiamart.com/surveytechnologies/profile.html>



ELECTRONIC THEODOLITE



ET02 Digital Theodolite



Electronic Theodolite DT 102



Vernier Transit Theodolite

LEVELING INSTRUMENTS



Bosch GOL 26 D Instruments



B4o A Sokkia Auto Level Instruments



DL-201 Digital Level Instrument



Rotary Laser GRL 300 HV

LASER DISTANCE METER



DISTO D2 Laser Distance Instruments



Leica DISTO D210 Laser Distance Meter



GLM 150C Laser Distance Meter

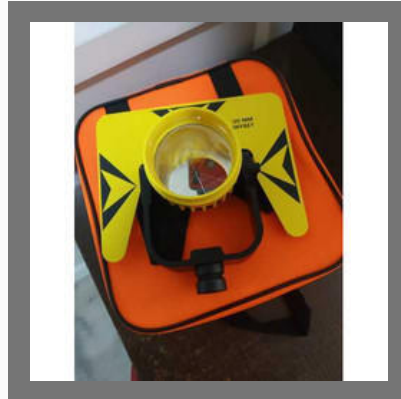


Leica DISTO X310 Laser Distance Meter

SURVEYING INSTRUMENT ACCESSORIES



Sanding Total Station Battery



TK21T Prism Set



Rodo Meter



Light weight Aluminum Tripod

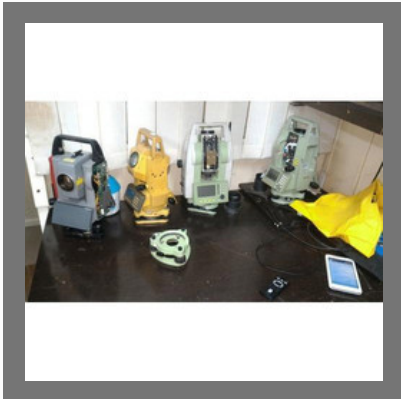
SURVEYING SERVICE



Theodolite Service And
Calibration

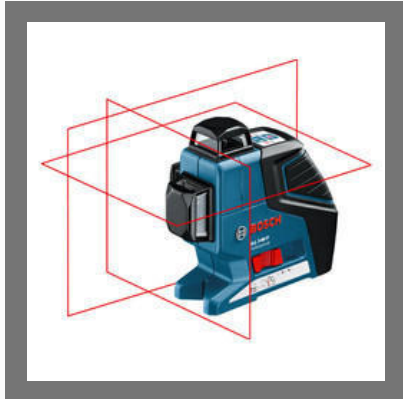


Auto Level Service and
Calibration



Total Station Service And
Calibration

POINT LINE LADDER



Bosch GLL 3-80 P Line Laser



Bosch GLL 5-50 X Line Laser



Bosch GLL 3-15 X Line Laser



Bosch GCL 25 Line Laser

OTHER PRODUCTS:



Sanding Total Station



Sanding Arc 5 Lite Total Station



Leica NA324 Auto Level



GLM 40 Laser Distance Meter

OTHER PRODUCTS:



Heavy Duty Aluminum Tripod



GPS Etrex 10



GPS 72H

Factsheet

Year of Establishment : 2013

Nature of Business : Wholesale Trader

Total Number of Employees : 11 to 25 People



CONTACT US

Survey Technologies Private Limited

Contact Person: Mukesh Kumar

E-41, 2nd Floor

Noida - 201301, Uttar Pradesh, India



+91-8048022573



<https://www.indiamart.com/surveytechnologies/>