



# Tatati

<https://www.indiamart.com/tatati/>

We are counted amongst the known Manufacturer and Service Providers of the wide range of Jigs Fixtures and Advertising Service and Production Service. These services are planned and designed as per the specifications are given by the clients.



## About Us

**Tatati**, one of the primary Manufacturer and Service Provider of Jigs Fixtures, Design Service, Advertising Service and Production Service, joined its exercises in the year **2016**. Gathering of this range done according to the set business guidelines and principles, using the best idea of rough materials and present-day machines, its quality never rots.

Outfitted with all the required equipment and extravagances, our much impelled forefront establishment, help us in the achievement of increasingly imperative proficiency. For keeping up our circumstance in the market, we keep updating the workplace on standard between times. To deal with the affiliation's assignments, in the best way, we have secluded it into different significantly operational units. These units, help us in the satisfaction of a portion of the affiliation's goals and focuses of the firm. Moreover, our extraordinarily moral working inclinations, have helped us in the age of a colossal and significantly assumed client base.

Under the organization of our capable and assumed guide **Mr. Anuj Kumar**, we have made sense of how to achieve increasingly conspicuous statures of advancement. His managerial aptitudes, ability to foresee publicize changes and influence incredible phrasings, to have been our USP for the longest of times.

**For more information, please visit**

<https://www.indiamart.com/tatati/profile.html>



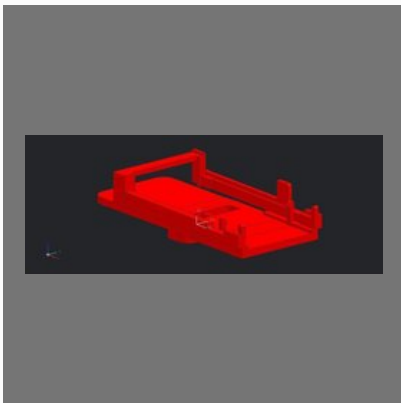
# CAD DESIGN SERVICE



3D & 2D CAD: Civil Design Services



AutoCAD Designing Service, 2D and 3D Cad Design

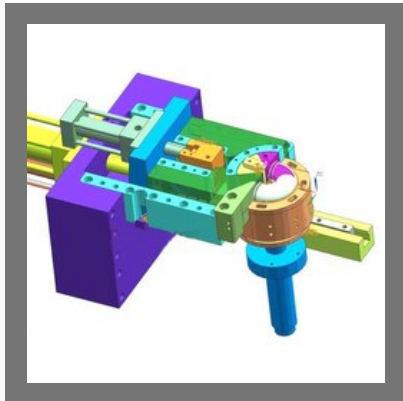


Plastic Product Modelling Design Service



3D Scanning & Photogrammetry

# INJECTION MOLD DESIGNING SERVICE



Injection Mold Design Service



Plastic Mould Base (40000)

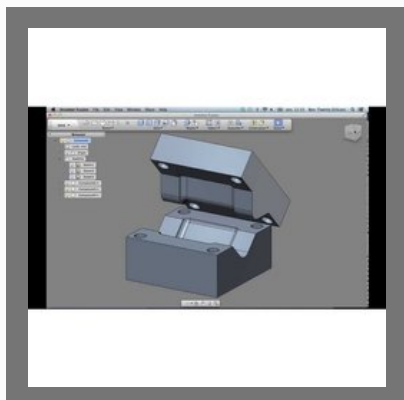


Engineering Machining Works(CNC Parts Design And Manufacturing)



Plastic Injection Molding Work @310

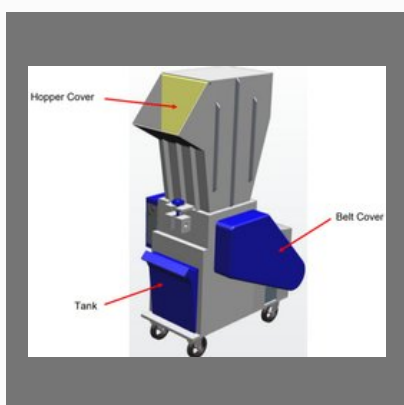
## OTHER SERVICES:



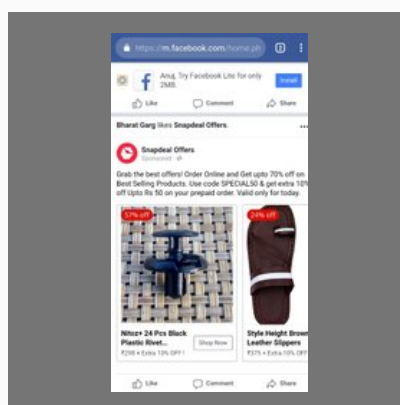
2D Drafting & 3D CAD  
Modelling Design Service  
(Mechanical)



Jigs Fixtures



Machine Design (SPM) And  
Manufacturing Services

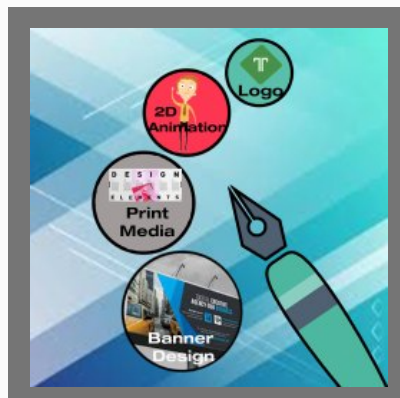


Facebook Advertising Service

## OTHER SERVICES:



Google Advertising Service



Graphic Designing Service



CAM Design Service



Jig and Fixture Design Service

# Factsheet

Year of Establishment : 2016

---

Nature of Business : Service Provider

---

Total Number of Employees : 11 to 25 People

---



## CONTACT US

### **Tatati**

Contact Person: Neetu

House No. 309-310, F/F Block B, Vikash Nagar  
Delhi - 110059, India



+91-8048882163



<https://www.indiamart.com/tatati/>