



+91-9790796992

Trigger Tooling Solution

<https://www.indiamart.com/trigger-tooling-solutionchennai/>

We have decided to be the country's leading provider of advanced CNC Tools, CNC Milling Tools, CNC Cutting Tools, CNC Tailor Made Tools, Engineering products and systems for industries - without compromising our goals in sustainable ...



About Us

We have decided to be the country's leading provider of advanced CNC Tools, CNC Milling Tools, CNC Cutting Tools, CNC Tailor Made Tools, Engineering products and systems for industries - without compromising our goals in sustainable development. Our business concept has always been based on product innovation, technology leadership and close, long-term customer relationships. Our high value-added products and services are aimed at helping our customers fulfill – and even exceed – their productivity and performance expectations. In a creative partnership with them, we will develop innovative solutions designed to pave the way to success.

For more information, please visit

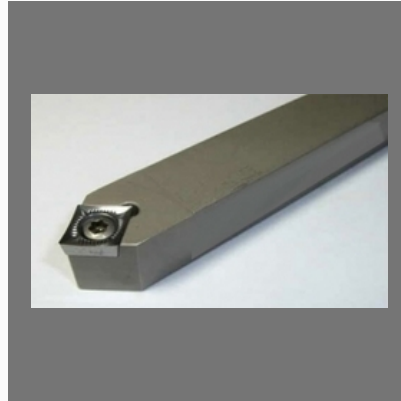
<https://www.indiamart.com/trigger-tooling-solutionchennai/aboutus.html>



TURNING



External-Toolholder



External- Tool Holder



Tool Holder



Internal Turning Holder

MILLING



Endmill cutter



Shell Mill Holder



Morse Taper Adaptor



Collet Chuck Holder

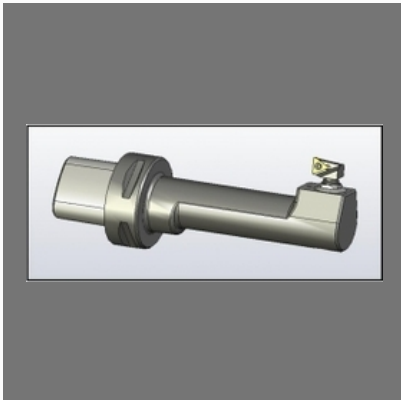
TAILOR MADE



Tailor Made tools and inserts



Tailor Made tools



Back Boring



Combination Boring Tools

OTHER PRODUCTS



Boring bar



Brad Point Drill



Drill

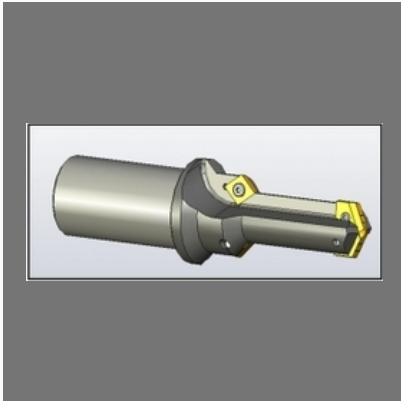
OTHER SERVICES:



Turning Holder



Assembly And Tool Setting
Aid Bt 40

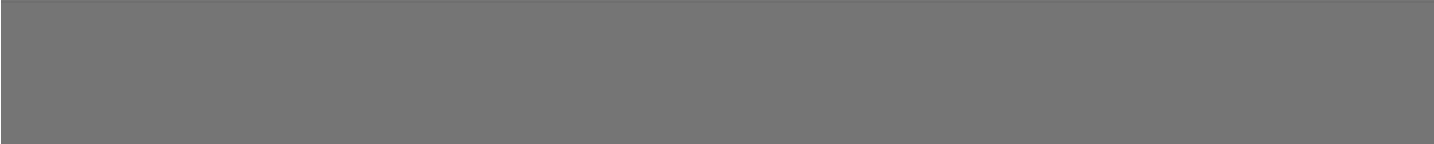


Special Step Drills

Factsheet

Nature of Business

:Service Provider



CONTACT US

Trigger Tooling Solution

Contact Person: T Anbarasu

48/30, VOC Street, Kasi industrial Estate, Kaikankuppam
Chennai - 600087, Tamil Nadu, India



+91-9790796992



<https://www.indiamart.com/trigger-tooling-solutionchennai/>