



+91-8048556382

# Varun Industries

<https://www.indiamart.com/varunindustries-bengaluru/>

We are a prominent manufacturer, exporter, trader and supplier of a precisely designed range of CNC Tool Holders, Boring Bars, Collet Chucks and many more. Our company also specializes in offering reliable VMC Machine Job Work.



## About Us

For any organization to flourish, it is highly essential to have flair for technology, quality as well as innovation. Realizing the same, we, **Varun Industries** have come into existence in the year **1993**, as a **sole proprietorship company**. We, since establishment, are involved in **manufacturing, exporting, trading and supplying** a vast range of **CNC Tool Holders, Boring Bars, Collet Chucks, Revolving Centers, Metal Sleeves and many more**. The company also recognized for offering trustworthy **VMC Machine Job Work**. We believe in products innovation, therefore, incorporated cutting-edge techniques as well as methodology in the manufacturing procedure. In addition to this, we make use of quality raw material, which is sourced from the renowned vendors of the market. Therefore, our all products and services are applauded for their unmatched characteristics like sturdy construction, dimensional accuracy, precision engineering, reliability, longer functional life and more. Our transparent business dealings with clients have enabled us attaining the trust of huge customers and also placing an enviable status in the market. We carry out all our trade practices as well as operations under the skilled guidelines of our proprietor **Mr. Basavaraj T. C.** He enabled us to achieve distinct position due to his outstanding managerial qualities, marketing skills, farsightedness and years of experience in the concerned field. Our...

**For more information, please visit**

<https://www.indiamart.com/varunindustries-bengaluru/profile.html>



# CNC TOOL HOLDERS



CNC Tool Holders



ER Collet Chucks



Drill Chuck Adapters



Shoulder Cutter Arbors

# BORING BARS



Custom Boring Bars



Boring Bars



Micro Boring Bars



Rough Boring Bars

# COLLET CHUCKS



M1TR Collet Chucks



BT Collet Chucks



Morse Taper Shank Collet Chucks



Tapping Collet Chucks

# REVOLVING CENTERS



Pipe Centers



CNC Tool Extension Sockets



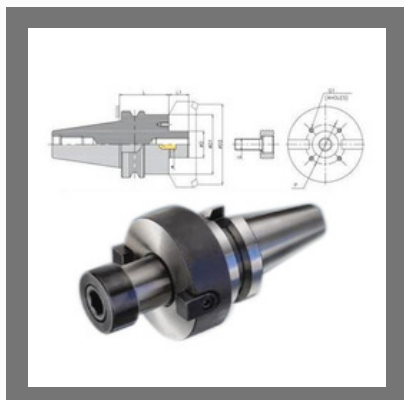
CNC Revolving Centers



Dead Centers



## OTHER PRODUCTS:



Side & Face Mill Arbors



Fine Boring Bars



ISO Shank Collet Chucks



Carbide Dead Centers



## OTHER PRODUCTS:



Drill Sleeves



Extension Drill Sleeves



Spindle Runout Test Bar



Inspection Gauges

# Factsheet

Year of Establishment : 1993

---

Nature of Business : Manufacturer

---

Total Number of Employees : 11 to 25 People

---



## CONTACT US

### **Varun Industries**

Contact Person: Basavaraj T. C.

No. 411, 11th Cross, Peenya  
Bengaluru - 560058, Karnataka, India



+91-8048556382



<https://www.indiamart.com/varunindustries-bengaluru/>